

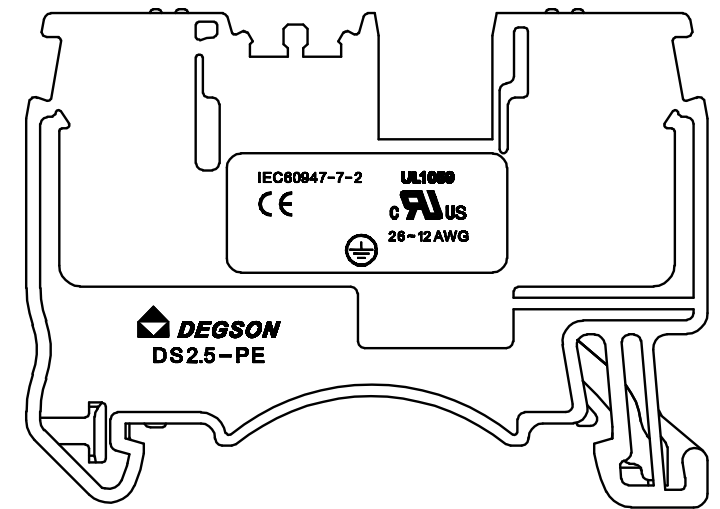
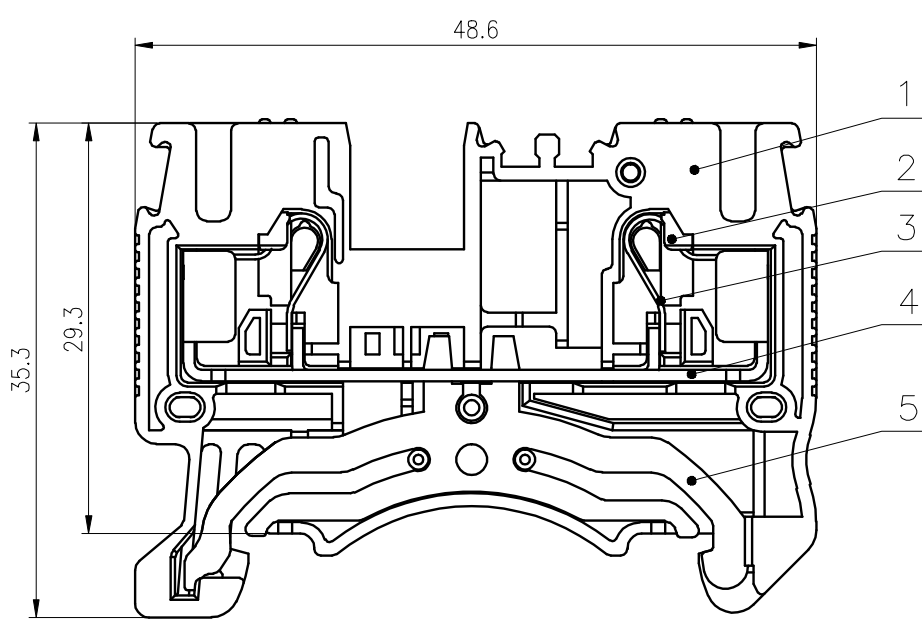
未注公差/General tolerances(mm)											D 0.1/10 EZ		
0	>3	>6	>10	>18	>30	>50	>80	>120	>180	>250		>315	>400
±0.12	±0.18	±0.22	±0.26	±0.31	±0.37	±0.57	±0.80	±0.93	±1.05	±1.15	±1.60	±2.20	±2.50

A

B

C

D



UL 标准/UL Standard:	B	C	D
额定电压/电流/Rated Voltage(V)/Current(A)	/	/	/
IEC 标准/IEC Standard:			
过压类别/Overvoltage Category/污染等级/Pollution Degree	III/3	/	/
额定电压/电流/Rated Voltage(V)/Current(A)	/	/	/
额定脉冲电压(kV)/Rate Impulse Voltage(kV)	8.0	/	/
线径范围(硬线和软线)/Wire Range(rigid and flexible)(mm ² /AWG)	0.2~2.5&4(SOL)/26~12		
间距/Pitch(mm)	5.2		
剥线长度/Stripping length(mm)	10~12		
使用温度范围/Operating temperature(°C)	-40~+105		
符合RoHS环保要求/Conform to RoHS	Yes		
标准颜色编号/Standard color number: PANTONE / RAL	/		

MATERIAL: /	SURFACE: /		
MAT NO.: /	宁波高松电子有限公司 NINGBO DEGSON ELECTRICAL CO., LTD		
STATUS: /			
APPD: Li GL 2020.04.02			
CHKD: Mao J 2020.04.02			
DRFT:Wang LX 2020.04.02	NAME:	DS2.5-PE-01P-1C-00A(H)	
	DRAWING NO.:	DS2.5-PE-C01	REV T1
	TYPE: CUSTOMER DRAWING	SCALE: 2:1	SHEET 1/1

5	Grounding	Copper alloy	Sn Plated
4	Current carrier	Copper	Sn Plated
3	Spring	Stainless steel	
2	Button	PA66-GF	UL94V-0
1	Housing	PA66	UL94V-0
ITEM	NAME OF PART	MATERIAL	NOTES

REV	ECN	DESCRIPTION	DRFT	DATE