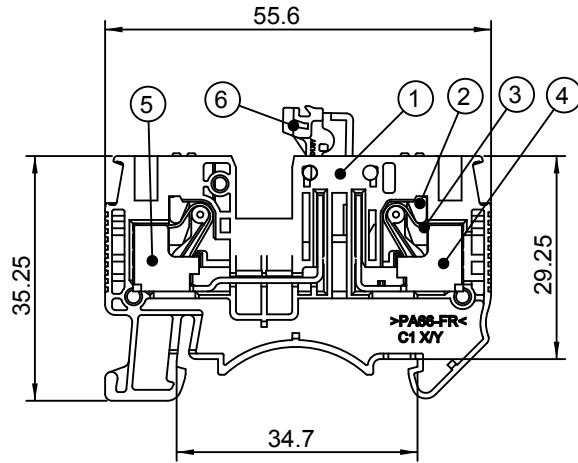
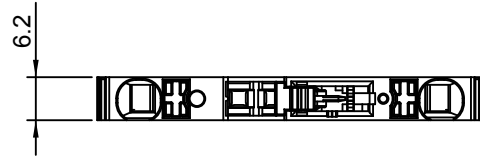
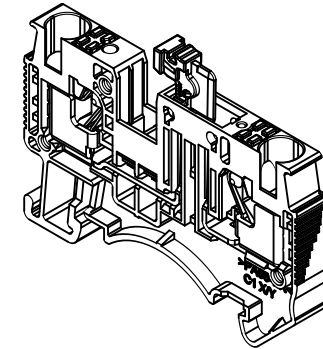
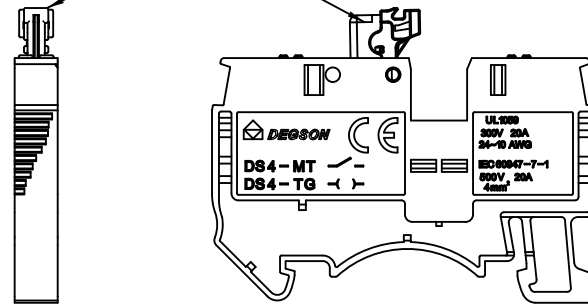


Transfer or duplication of this document as well as the utilization or communication of its contents are prohibited unless explicit authorization is granted. Violations will be liable for compensation. All rights reserved for patent, utility model or designs registrations. 非经书面同意，不得复制或传播本文件内容。未经书面许可，不得复制或传播本文件内容。本公司保留追究法律责任。侵权必究。



Knife switch closed when shipment



公差/General tolerances(mm)											0.1/10		
0	>3	>6	>10	>18	>30	>50	>80	>120	>180	>250		>315	>400
~3	~6	~10	~18	~30	~50	~80	~120	~180	~250	~315	~400	~500	~500
±0.12	±0.18	±0.22	±0.26	±0.31	±0.37	±0.57	±0.80	±0.93	±1.05	±1.15	±1.60	±2.20	±2.50

UL 标准/ U.L. Standard:	B	C	D
额定电压/ 电流/ Rated Voltage(V)/ Current(A)	300V 20	300V 20	/
IEC 标准/ IEC Standard:			
过压类别/ Overvoltage Category/ 污染等级/ Pollution Degree	III/ 3	III/ 2	II/ 2
额定电压/ 电流/ Rated Voltage(V)/ Current(A)	500/ 20	/	/
额定脉冲电压(KV)/ Rate Impulse Voltage(KV)	6	/	/
线径范围(硬线和软线)/ Wire Range(rigid and flexible)(AWG mm²)	24~10 / 0.2~4.6 (Sol)		
剥线长度/ Stripping length(mm)	11~13		
使用温度范围/ Operating temperature(°C)	- 40~+ 105		
符合 RoHS 环保要求/ Conform to RoHS	Yes		

ITEM	NAME OF PART	MATERIAL	NOTES
6	Knife_Switch	PA66/Copper	/
5	Long_current_carrier	Copper	Sn plated
4	Short_current_carrier	Copper	Sn plated
3	Spring	Stainless steel	/
2	Button	PA66+GF%	UL94V-0
1	Housing	PA66	UL94V-0

		MATERIAL:	/	SURFACE:	/
APPD: Li GL 2022.05.05		MAT NO./REV:	/	MAT STATUS:	/
CHKD: Ma EK 2022.04.27		NAME DS4-MT-01P-1Y-00A (H)			
DRFT: Wang LX 2022.04.26		DRAWING NO.	/	TYPE	CUSTOMER DRAWING
REV: /		DRAWING STATUS	/	SCALE	1:1
ECN: /		DRAWING STATUS	/	SHEET	1/1

REV	ECN	DESCRIPTION	DRFT	DATE
00	/	/	Wang LX	2022.04.26