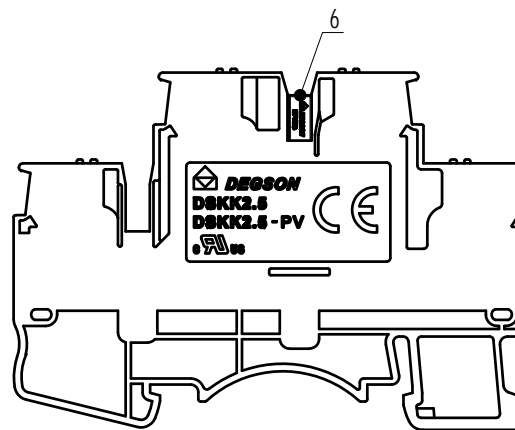
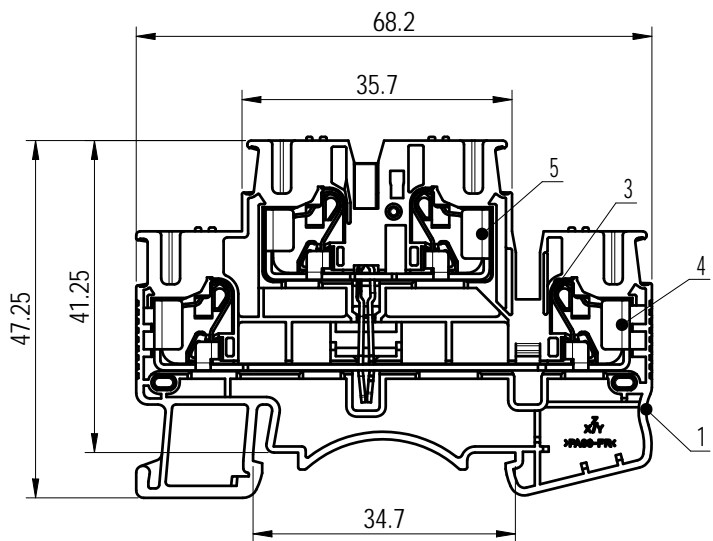
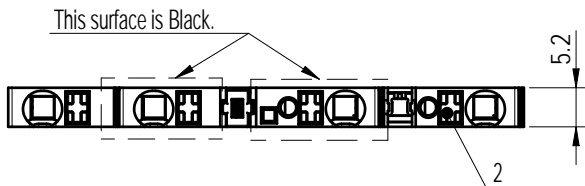


Transfer or duplication of this document as well as the utilization or communication of its contents are prohibited unless authorized in advance. Violations will be treated as patent infringement. All rights reserved for patent. 除专利申明授权外，复制、引用、分发本文件的任何行为，均未经本公司的事先许可，否则将构成侵权。本公司保留对涉及发明、实用新型及外观设计的所有权利。



未注公差/General tolerances (mm)													0.1/10	
0	>3	>6	>10	>18	>30	>50	>80	>120	>180	>250	>315	>400		>500
±0.12	±0.18	±0.22	±0.26	±0.31	±0.37	±0.57	±0.80	±0.93	±1.05	±1.15	±1.60	±2.20	±2.50	±2'

UL 标准/UL Standard:	B	C	D
额定电压/电流/Rated Voltage(V)/Current(A)	300/20	300/20	300/10
IEC 标准/IEC Standard:			
过压类别/Overvoltage Category/污染等级/Pollution Degree	III/3	III/2	II/2
额定电压/电流/Rated Voltage(V)/Current(A)	500/22	/	/
额定脉冲电压(KV)/Rate Impulse Voltage(KV)	6	/	/
线径范围(硬线和软线)/Wire Range(rigid and flexible)(mm ² /AWG)	0.2~2.5&4(sol) /26~12		
线数范围/Poles	N=01P		
剥线长度/Stripping length(mm)	11~12		
使用温度范围/Operating temperature(°C)	-40~+105		
符合RoHS环保要求/Conform to RoHS	Yes		

6	Bridgeware	/	/
5	Current carrier 2	Copper	Sn Plated
4	Current carrier 1	Copper	Sn Plated
3	Spring	Stainless steel	/
2	Button	PA66+GF%	UL94V-0
1	Housing	PA66	UL94V-0
ITEM	NAME OF PART	MATERIAL	NOTES

			MATERIAL: /		SURFACE/COLOR: /	
			MAT NO./REV: /		MAT STATUS: /	
APPD:	Li GL	2022.06.14	NAME			
CHKD:	Ma EK	2022.06.14	DSKK2.5-PV-01P-1Y-00A(H)			
DRFT:	Zheng QG	2022.06.14	DRAWING NO.	TYPE	DRAWING STATUS	SCALE
			/	CUSTOMER DRAWING	/	1:1
						SHEET
						1/1

00	/	/	Zheng QG	2022.06.14	
REV	ECN	DESCRIPTION	DRFT	DATE	