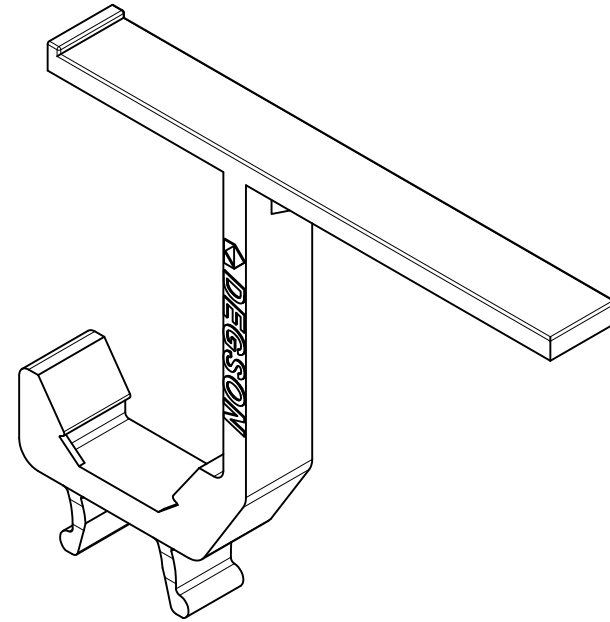
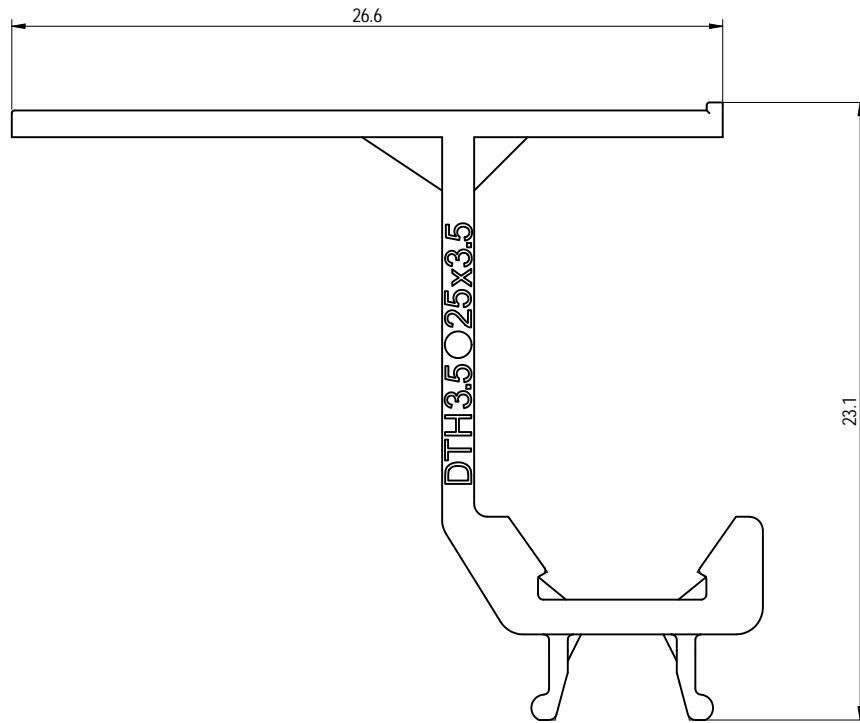
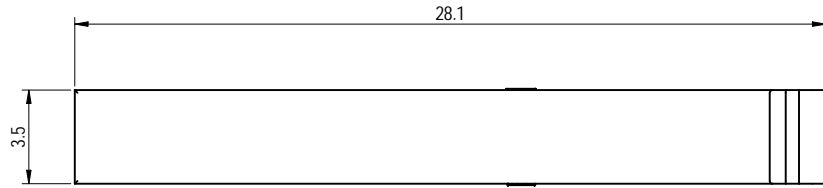


未注公差 (General Tolerances)(mm)											D			
0	>3	>6	>10	>18	>30	>50	>80	>120	>180	>250				
±0.10	±0.18	±0.22	±0.24	±0.31	±0.37	±0.57	±0.80	±0.93	±1.05	±1.15	±1.60	±2.20	±2.50	±2'



Transfer or duplication of this document as well as the utilization of its contents for any purpose without the written consent of the copyright holder is prohibited. All rights reserved for patent, utility, trademark or other intellectual property. 未经授权复制或传播本文件及其内容，或以任何形式或手段进行传播，均属于侵权行为。本公司保留所有权利。

使用温度范围 / Operating temperature(°C)	-40~+105
符合 RoHS 环保要求 / Conform to RoHS	Yes
阻燃等级 / Flame class	UL94-V0

			MATERIAL: PA66	SURFACE/COLOR: /
APP: PengM	2022.06.13	NAME	DTH3.5-25X3.5-1Y-00A(H)	
CHKD: GaoWG	2022.06.13	DRAWING NO.	TYPE	DRAWING STATUS
DRFT: XieXD	2022.06.13	/	CUSTOMER DRAWING	/
REV	ECN	DESCRIPTION	DRFT	DATE
00	/	/	XieXD	2022.06.13
		A3		SCALE
				5:1
				SHEET
				1/1