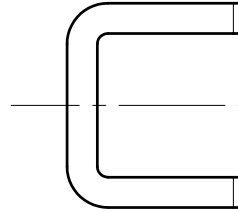
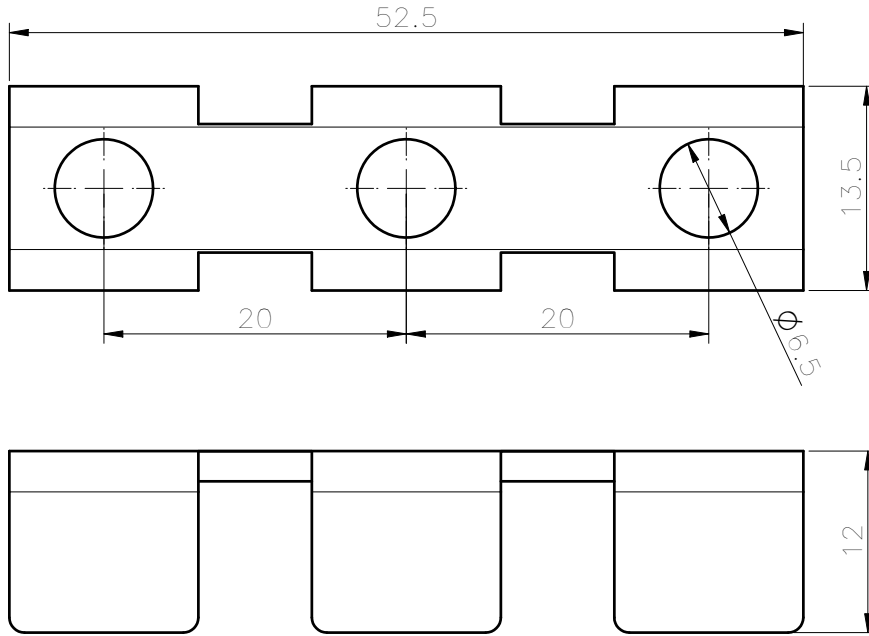
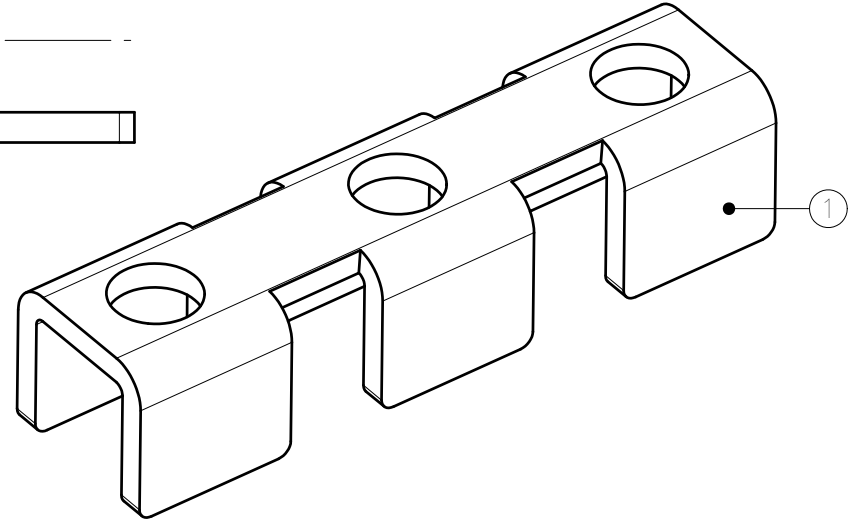


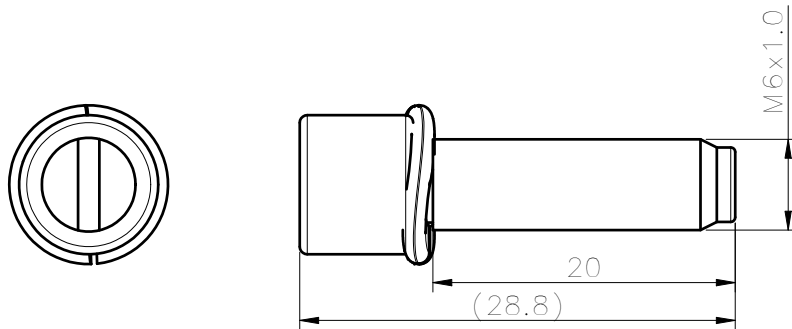
未注公差/General tolerances(mm)												0.1/10	
0	>3	>6	>10	>18	>30	>50	>80	>120	>180	>250	>315		>400
~3	~6	~10	~18	~30	~50	~80	~120	~180	~250	~315	~400	~500	>500
±0.12	±0.18	±0.22	±0.26	±0.31	±0.37	±0.57	±0.80	±0.93	±1.05	±1.15	±1.60	±2.20	±2.50



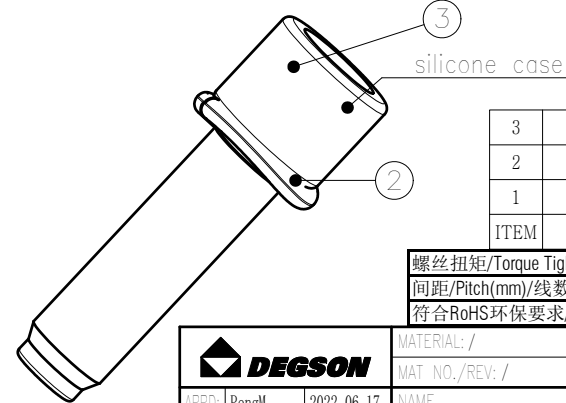
Please refer to the 3D model, for those unmarked dimensions



Current_carrier: Screw = 1:3



Please refer to the 3D model, for those unmarked dimensions



ITEM	NAME OF PART	MATERIAL	NOTES
3	Cover	Silicone	UL94V-0
2	Screw	Steel	Ni-Plated
1	Current_carrier	Copper	Sn-Plated

螺丝扭矩/Torque Tightening(N·m/Lb.in)	M6, 2.5/22.2
间距/Pitch(mm)/线数/Poles	20/N=03P
符合RoHS环保要求/Conform to RoHS	Yes

DEGSON		MATERIAL: /	SURFACE/COLOR: /
APPD: PengM	2022.06.17	MAT NO./REV: /	MAT STATUS: /
CHKD: GaoWG	2022.06.17	NAME	
DRFT: XieXD	2022.06.17	FBI3-20-00A (H)	
REV	ECN	DESCRIPTION	DRAWING NO. /
00	/	/	TYPE CUSTOMER DRAWING
XiexD	2022.06.17	DRFT	DRAWING STATUS /
DRFT	DATE	SCALE 2:1	SHEET 1/1

REV	ECN	DESCRIPTION	DRFT	DATE
00	/	/	XiexD	2022.06.17

Transfer or duplication of this document as well as the utilization or communication of its contents are prohibited unless authorized. All rights reserved for patent, utility model or design registrations. 非经许可擅自复制或传播, 否则禁止转让、复制、利用、交加本文件的内容, 侵犯者将负法律责任。本公司保留对涉及发明、实用新型和外观设计的所有权利。