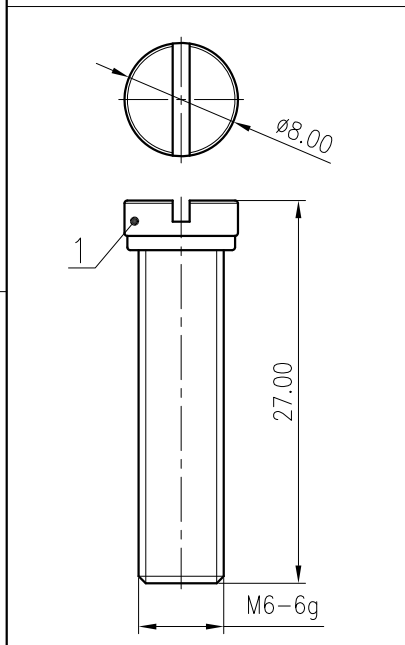
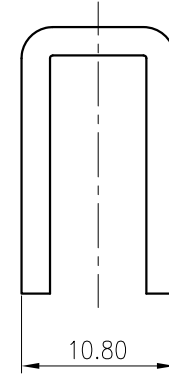
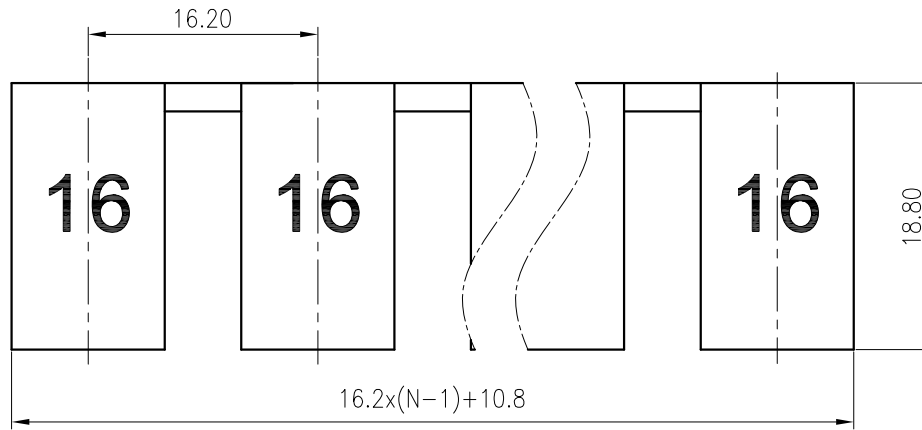
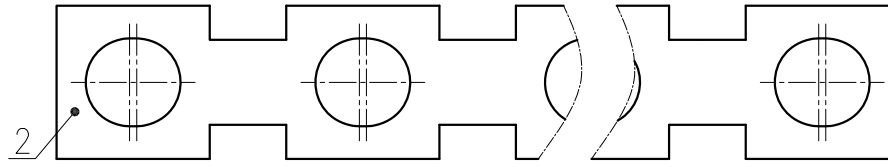


未注公差/General tolerances(mm)											0.1/10		
0 ~ 3	>3 ~ 6	>6 ~ 10	>10 ~ 18	>18 ~ 30	>30 ~ 50	>50 ~ 80	>80 ~ 120	>120 ~ 180	>180 ~ 250	>250 ~ 315		>315 ~ 400	>400 ~ 500
±0.12	±0.18	±0.22	±0.26	±0.31	±0.37	±0.57	±0.80	±0.93	±1.05	±1.15	±1.60	±2.20	±2.50



2	Current carrier	Copper	Sn Plated
1	Screws	Copper alloy	Ni Plated
ITEM	PART NAME	MATERIAL	NOTES
螺丝扭矩/Torque Tightening(N·m/Lb.in)		M6,2.5/22.15	
间距/Pitch(mm)/线数范围/Poles		16.2/N=02P~10P	
使用温度范围/Operating temperature(°C)		-40~+105	
载流体与螺丝分开包装于同一内盒中/Current carrier and Screws should be packed individually, which must be put in the same box			
符合RoHS环保要求/Conform to RoHS			
			Yes

MATERIAL: /		SURFACE: /	
MAT NO.: /		宁波高松电子有限公司 NINGBO DEGSON ELECTRICAL CO., LTD	
STATUS: /			
APPD: Li GL 2020.06.04		NAME: FBIXX-16	
CHKD: Mao J 2020.06.04		DRAWING NO.: FBIXX-16-C01	
DRFT: Chen K 2020.06.04		REV	T1
⊕	SIZE: A4	TYPE: CUSTOMER DRAWING	SCALE: 2:1 SHEET 1/1

REV	ECN	DESCRIPTION	DRFT	DATE