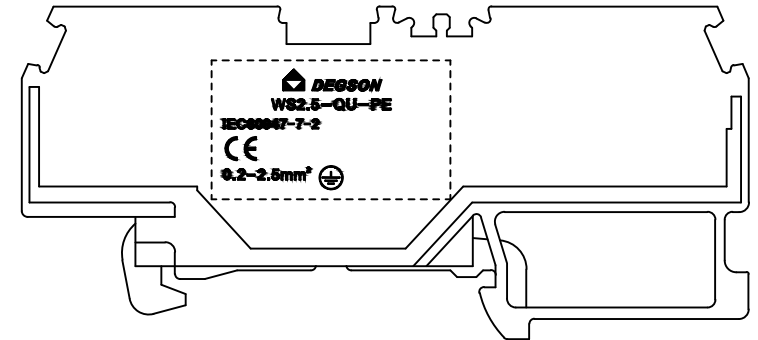
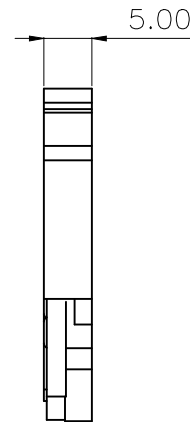
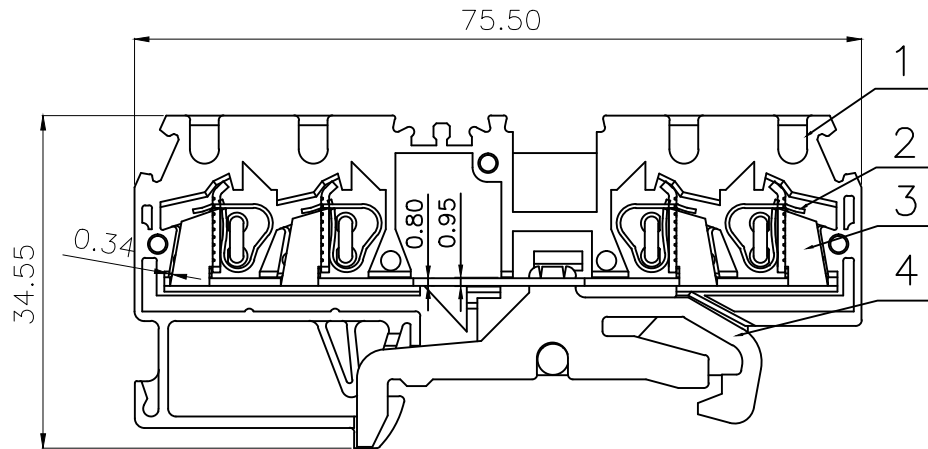


REVISION RECORD				
REV	ECN	DESCRIPTION	DRFT	DATE



NOTES1:

UL Standard

- 1. Withstanding Voltage : AC2200V/1Min.
- 2. Wire Range : 28~12AWG

IEC Standard

Pollution Degree	3
Overtoltage Category	III
Rate Impulse Voltage(KV)	8.0KV
Rate Voltage(V)	/
Rate Current(A)	/

1. Wire Range : 0.2~2.5mm²

NOTES2:

- 1. Dimension shall be interpreted per ASME Y14.5-2009
- 2. Pitch : 5.0mm, Poles : 01P
- 3. Stripping length : 9.0mm
- 4. Operating temperature: -40°C~+105°C
- 5. Undimensioned Tolerances:

Pitch Range In mm	Nominal Dimension Range In mm							-	∩	□
	Over 6 TO 10	Over 10 TO 24	Over 30 TO 30	Over 60 TO 60	Over 100 TO 100	Over 150 TO 150	0.1/10			
±0.15	±0.20	±0.30	±0.30	±0.50	±0.70	±1.00	±1.30	±2'		

6. RoHS Compliance

4	Ground Pin	COPPER ALLOY	Sn plated
3	CURRENT CARRIER	COPPER ALLOY	Sn plated
2	SPRING	STEEL	
1	HOUSING	PA66	UL94V-0
ITEM	NAME OF PART	MATERIAL	NOTES

DETACHED LISTS	PART NO.:	NINGBO DEGSON ELECTRICAL CO., LTD		
	APPD: Li GL 2020.06.05			
	CHKD: Mao J 2020.06.05	TITLE: CUSTOMER DRAWING	REV	D0-1
	DRFT: HXG 2020.06.05	DRAWING NO.: WS2.5-QU-PE-C02	SHEET	1/1
	 THIRD ANGLE PROJECTION	 DO NOT SCALE DRAWING	SCALE	1:1