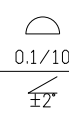


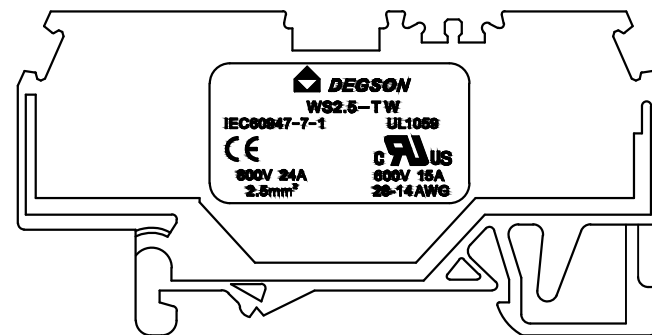
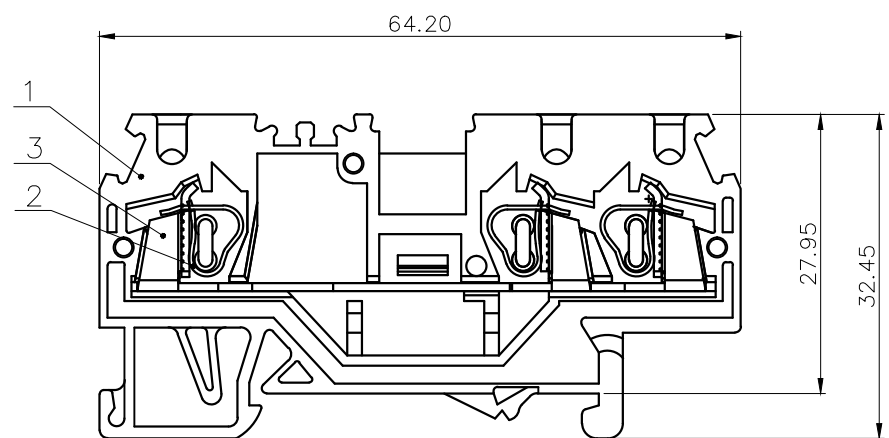
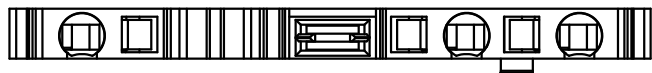
未注公差/General tolerances(mm)

0	>3	>6	>10	>18	>30	>50	>80	>120	>180	>250	>315	>400	>500
~3	~6	~10	~18	~30	~50	~80	~120	~180	~250	~315	~400	~500	
±0.12	±0.18	±0.22	±0.26	±0.31	±0.37	±0.57	±0.80	±0.93	±1.05	±1.15	±1.60	±2.20	±2.50



REVISION RECORD

REV	ECN	DESCRIPTION	DRFT	DATE
-----	-----	-------------	------	------



UL 标准/UL Standard:	B	C	D
额定电压/电流/Rated Voltage(V)/Current(A)	600/15	600/15	600/5
EC 标准/IEC Standard:			
过压类别/Overvoltage Category/污染等级/Pollution Degree	III/3	/	/
额定电压/电流/Rated Voltage(V)/Current(A)	800/24	/	/
额定脉冲电压(KV)/Rate Impulse Voltage(KV)	8.0	/	/
线径范围(硬线和软线)/Wire Range(rigid and flexible)(mm <sup>2</sup> /AWG)	0.2~2.5/28~14		
间距/Pitch(mm)	5.0		
剥线长度/Stripping length(mm)	8-9		
使用温度范围/Operating temperature(°C)	-40~+105		
符合RoHS环保要求/Conform to RoHS	Yes		
标准颜色编号/Standard color number:	/		
PANTONE / RAL	/		

ITEM	NAME OF PART	MATERIAL	NOTES
3	Current Carrier	Copper alloy	Sn Plated
2	Spring	Stainless steel	
1	Housing	PA66	UL94V-0

DETACHED LISTS	PART NO.:	/	NINGBO DEGSON ELECTRICAL CO., LTD		
	APPD:	Li GL 2020.06.05	NAME: WS2.5-TW-01P-1Y-100A(H)		
	CHKD:	Mao J 2020.06.05	TITLE: CUSTOMER DRAWING		
	DRFT:	XMY 2020.05.23	REV	TO	
 THIRD ANGLE PROJECTION		DRAWING NO.:	WS2.5-TW-C36	SHEET	1/1
		MM (INCH)	DO NOT SCALE DRAWING	SCALE	1:1