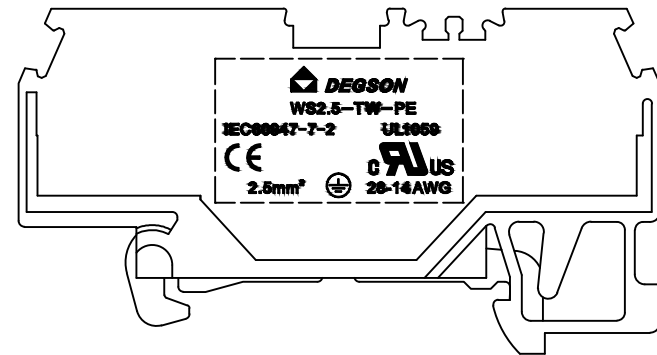
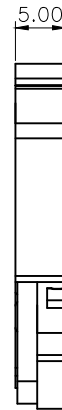
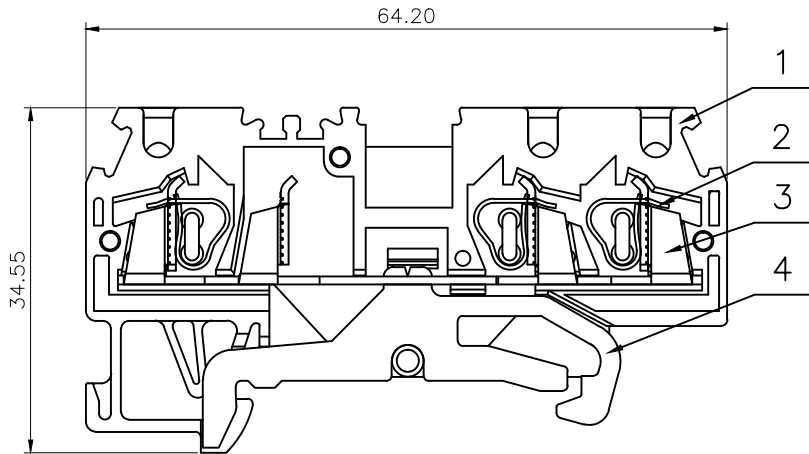
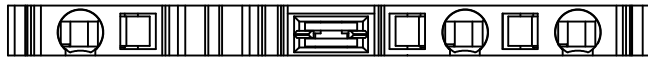


| REVISION RECORD | | | | |
|-----------------|-----|-------------|------|------|
| REV | ECN | DESCRIPTION | DRFT | DATE |
| | | | | |



NOTES1:
UL Standard
1.Wire Range : 28~14AWG

IEC Standard

| | |
|--------------------------|-------|
| 1. Pollution Degree | 3 |
| Overvoltage Category | III |
| Rate Impulse Voltage(KV) | 8.0KV |
| Rate Voltage(V) | / |
| Rate Current(A) | / |

2.Wire Range : 2.5mm²

NOTES2:

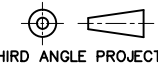
- 1.Dimension shall be interpreted per ASME Y14.5-2009
- 2.Pitch : 5.0mm, Poles : 01P
- 3.Stripping length : 9.0mm
- 4.Operating temperature: -40°C~+105°C
- 5.Undimensioned Tolerances:

| Pitch Range In mm | | Nominal Dimension Range In mm | | | | | | □ | ∩ | ∩ |
|-------------------|-------|-------------------------------|-------|-------|-------|-------|-------|--------|---|---|
| TO | Over | Over | TO | Over | Over | Over | 150 | 0.1/10 | ∠ | |
| 6 | 6 | 10 | 10 | 30 | 60 | 100 | 150 | | | |
| ±0.15 | ±0.20 | ±0.30 | ±0.30 | ±0.50 | ±0.70 | ±1.00 | ±1.30 | ±2' | | |

6.RoHS Compliance

| 4 | Current Contact | PHOSPHOR BRONZE | Sn Plated |
|------|-----------------|-----------------|-----------|
| 3 | Current Carrier | COPPER ALLOY | Sn Plated |
| 2 | SPRING | Stainless steel | |
| 1 | HOUSING | PA66 | UL94V-0 |
| ITEM | NAME OF PART | MATERIAL | NOTES |

| | | | | |
|----------------|-----------|------------------|---|-----------|
| DETACHED LISTS | PART NO.: | / | | |
| | APPD: | Li GL 2020.06.05 | NAME: DEGSON ® NINGBO DEGSON ELECTRICAL CO., LTD | |
| | CHKD: | Mao J 2020.06.05 | WS2.5-TW-PE-01P-1C-100A(H) | |
| | DRFT: | XMY 2020.06.05 | TITLE: CUSTOMER DRAWING | REV D0-1 |
| | | | DRAWING NO.: WS2.5-TW-PE-C02 | SHEET 1/1 |
| | | ← MM (INCH) → | DO NOT SCALE DRAWING | SCALE 1:1 |



THIRD ANGLE PROJECTION