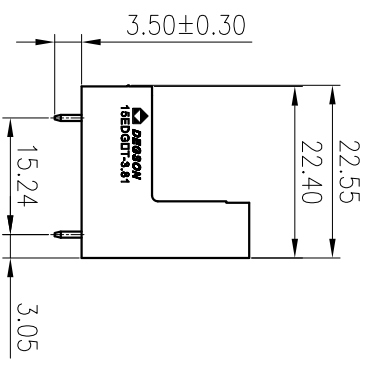
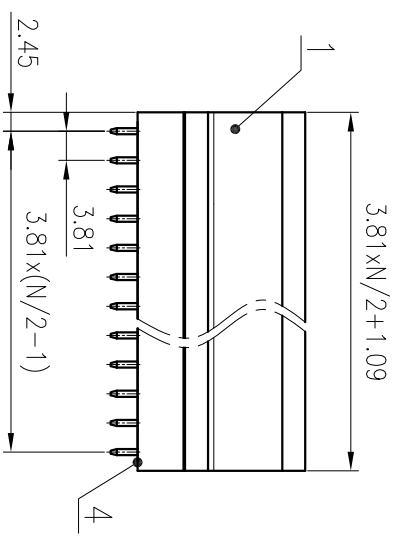
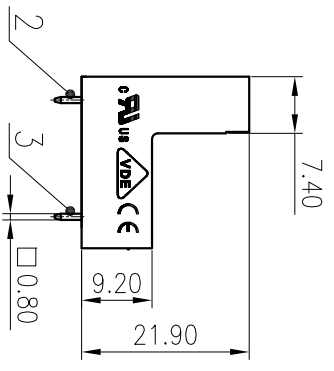
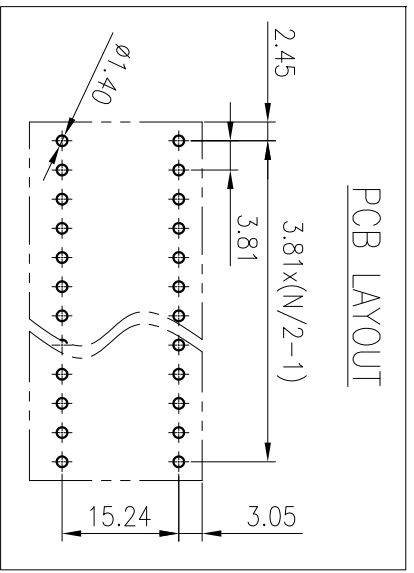
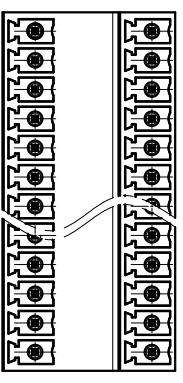


公差 (mm)		公差 (mm)		公差 (mm)		公差 (mm)		公差 (mm)		公差 (mm)		公差 (mm)	
0	>3	>6	>10	>18	>30	>50	>80	>120	>180	>250	>315	>400	0.1/10
~	~	~	~	~	~	~	~	~	~	~	~	~	±2
3	6	10	18	30	50	80	120	180	250	315	400	500	
±0.12	±0.18	±0.22	±0.26	±0.31	±0.37	±0.57	±0.80	±0.93	±1.05	±1.15	±1.60	±2.20	±2.50



ITEM	NAME OF PART	MATERIAL	NOTES
4	Cover	PA66	UL94V-0
3	Pin 2	Copper alloy	Sn Plated
2	Pin 1	Copper alloy	Sn Plated
1	Housing	PA66	UL94V-0

UL 标准/UL Standard:	
额定电压/电压 (Rated Voltage(V)/Current(A))	300/8
IEC 标准/IEC Standard:	
过压类别/Overvoltage Category/污染等级/Pollution Degree	II/2
额定电压/电流 /Rated Voltage(V)/Current(A)	250/7
额定脉冲电压 (KV)/Rate Impulse Voltage(KV)	2.5
间距/Pitch(mm)/线数范围/Poles	3.81/N=04~48P
使用温度范围/Operating Temperature(°C)	-40~+105
符合RoHS环保要求/Conform to RoHS	Yes

SURFACE:

MATERIAL:

宁波高松电子有限公司
NINGBO DEGSON ELECTRICAL CO., LTD

MAT NO.: /
STATUS: /
APPD: Ian CHH 2020.05.23
CHKD: /

NAME: 15EDGVT-3.81-XXP-1Y-00A(H)

DRAFT: Yu JZh 2020.05.23
SIZE: A4
DRAFT: Yu JZh 2020.05.23

DRAWING NO.: 10002135
TYPE: CUSTOMER DRAWING
SCALE: 1:1
REV: T0
SHEET: 1/1

研发中心
管发专用
2020.05.23
(仅限内部使用, 对外无效)

REV	ECN	DESCRIPTION	DRAFT	DATE