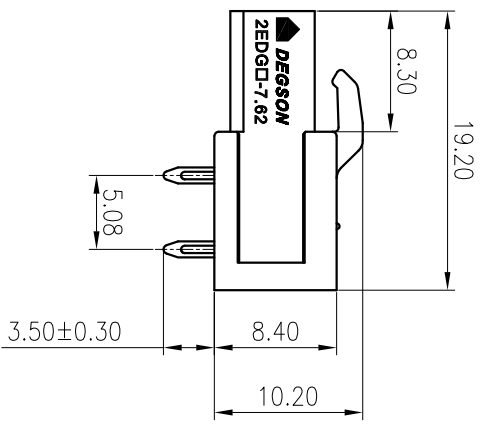


公差表/General tolerances(mm)

0	>3	>6	>10	>18	>30	>50	>80	>120	>180	>250	>315	>400	0.1/10
~	~	~	~	~	~	~	~	~	~	~	~	~	±2
3	6	10	18	30	50	80	120	180	250	315	400	500	±2
UL 标准/UL Standard:													
UL 标准/UL Standard:													
UL 标准/UL Standard:													
UL 标准/UL Standard:													

EC 标准/IEC Standard:	III/3	III/2	II/2
过压类别/Overvoltage Category/污染等级	III/3	III/2	II/2
额定电压/电压/Rated Voltage(V)/Current(A)	400/20	400/20	1000/20
额定冲击电压(KV)/Rate Impulse Voltage(KV)	4	4	4
间距/Pitch(mm)/线数范围/Poles	7.62/N=02~16P		
使用温度范围/Operating temperature(°C)	-40~+105		
符合RoHS环保要求/Conform to RoHS	Yes		
标准颜色编号/Standard color number:			
PANTONE / RAL			



3	Clamp	Copper alloy	Sn Plated
2	Cover	PA66	UL94V-0
1	Housing	PA66	UL94V-0
ITEM	NAME OF PART	MATERIAL	NOTES

MATERIAL: / SURFACE: /

MAT NO.: /

STATUS: /

APPD: LIGL 2020.06.22

CHKD: MaoJ 2020.06.22

DRFT: WangY2 2020.06.22

NINGBO DEGSON ELECTRICAL CO., LTD

2EDGA-7.62-XXP-14-00A(H)

DRAWING NO.: 2EDGA-7.62-C01

TYPE: CUSTOMER DRAWING

SCALE: 2:1

SHEET 1/1

REV	ECN	DESCRIPTION	DRFT	DATE
-----	-----	-------------	------	------

1 2 3 4

1

2

3

4

5

6

1/1