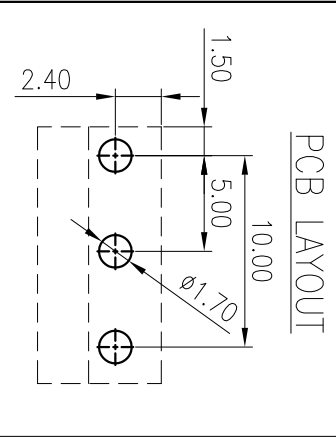
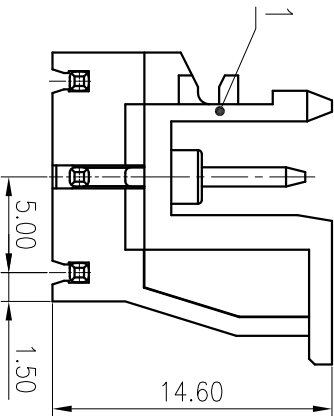
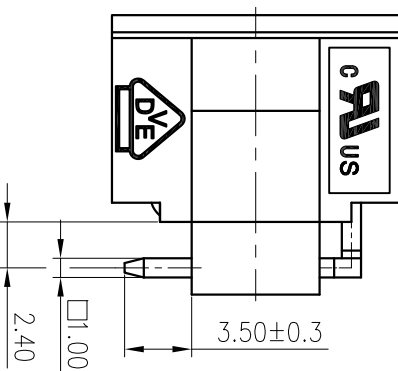
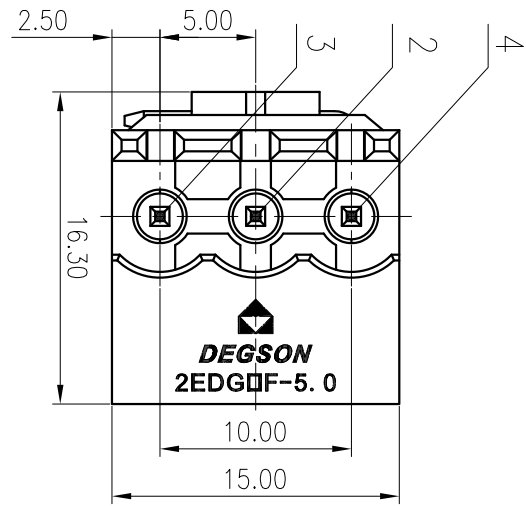


公差 (mm)		公差 (mm)		公差 (mm)		公差 (mm)		公差 (mm)		公差 (mm)		公差 (mm)		公差 (mm)		公差 (mm)	
0	>3	>6	>10	>18	>30	>50	>80	>120	>180	>250	>315	>400	>500	>630	>800	>1000	>1250
±0.12	±0.18	±0.22	±0.26	±0.31	±0.37	±0.57	±0.80	±0.93	±1.05	±1.15	±1.60	±2.20	±2.50	±3.15	±4.00	±5.00	±6.30



REV	ECN	DESCRIPTION	DRFT	DATE

MATERIAL:	/		
MAT NO.:	/		
STATUS:	/		
APPD:	LonCHH	2020.05.16	NAME:
CHKD:	GongYzh	2020.05.16	2EDGLF-5.0-03P-1Y-00A(H)
DRFT:	LY	2020.05.16	DRAWING NO.:
			10002064
			REV
			T0
			SCALE: 2.5:1
			SHEET 1/1

ITEM	NAME OF PART	MATERIAL	NOTES
4	Pin3	Copper	Sn Plated
3	Pin1	Copper	Sn Plated
2	Pin2	Copper	Sn Plated
1	Housing	PA66	UL94V-0

UL 标准/UL Standard:	B	C	D
额定电压/Rated Voltage(V)/Current(A)	300/15	/	300/10
IEC 标准/IEC Standard:	/		
过压类别/Overvoltage Category/污染等级/Pollution Degree	III/3	III/2	II/2
额定电压/电流/Rated Voltage(V)/Current(A)	/	320/20	/
额定冲击电压/Rate Impulse Voltage(KV)	/	4	/
使用温度范围/Operating Temperature(C)	-40~+105		
符合RoHS环保要求/Conform to RoHS	Yes		

**DEGSON**<sup>®</sup> NINGBO DEGSON ELECTRICAL CO., LTD  
 宁波高松电子有限公司

DRAWING NO.: 10002064  
 TYPE: CUSTOMER DRAWING  
 SCALE: 2.5:1  
 SHEET 1/1