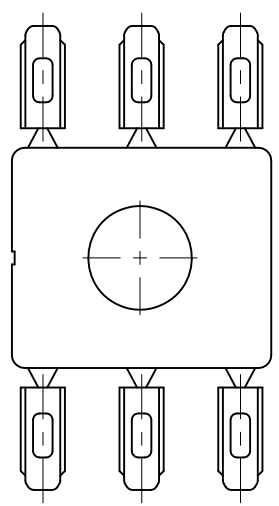
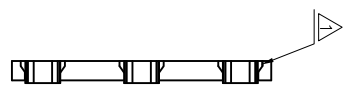
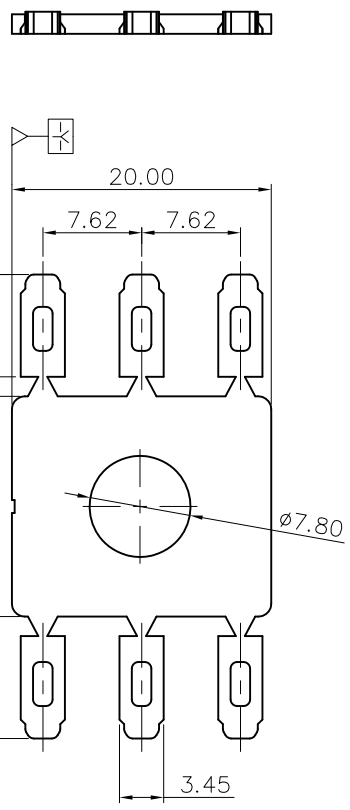
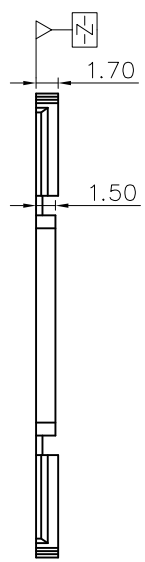


REVISION RECORD				
REV	ECN	DESCRIPTION	DRFT	DATE
△	18-0223	Increase the height of the buckle	LY	2018.07.19



- NOTES:
- 1.Dimension shall be interpreted per ASME Y14.5-2009
 - 2.Pitch : 7.62mm, Poles : 06P
 - 5.Operating temperature: -40°C~+105°C
 - 6.Undimensioned tolerances:
- | Pitch | Range | In | Nominal Dimension | Range | Over | Under |
|-------|-------|-------|-------------------|-------|-------|--------|
| mm | | In | mm | | | |
| 6 | Over | 10 | Over | 30 | Over | 0.1/10 |
| TO | TO | TO | TO | TO | TO | ≤ |
| 10 | TO | 24 | TO | 60 | TO | |
| 100 | TO | 30 | TO | 100 | TO | |
| 150 | TO | 60 | TO | 150 | TO | |
| ±0.15 | ±0.25 | ±0.20 | ±0.30 | ±0.50 | ±0.70 | ±1.00 |
| | | | | | | ±1.30 |
| | | | | | | ±2 |
- 7.RoHS Compliance

SEDG-PWI - 06P - 1Y - 00A (H)
 (Series No.) (Poles)(Single Pitch) (Color) :1.(Grey)
 2.(Blue)
 3.(Black)
 4.(Green)
 5.(Orange)
 6.(Red)
 7.(Transparent)
 8.(Yellow)
 9.(White)

ITEM	NAME OF PART	MATERIAL	NOTES
1	Housing	PA66	UL94V-0

DETACHED LISTS	
PART NO.:	/
APPD.:	
CHKD.:	
DRFT.:	HXG 2011.06.03
THIRD ANGLE PROJECTION	
NAME:	DEGSON NINGBO DEGSON ELECTRICAL CO., LTD 宁波高松电子有限公司
TITLE:	CUSTOMER DRAWING
DRAWING NO.:	SEDG-PWI-C01
SCALE	DO NOT SCALE DRAWING
REV	REV
T1	T1
SHEET	1/1
SCALE	1:1