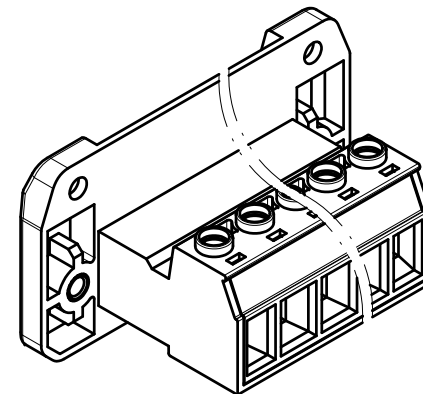
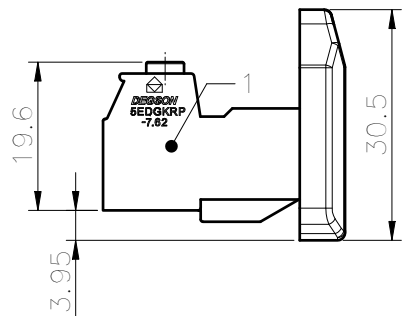
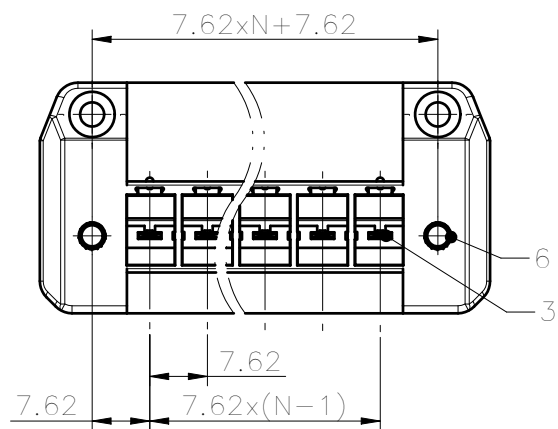
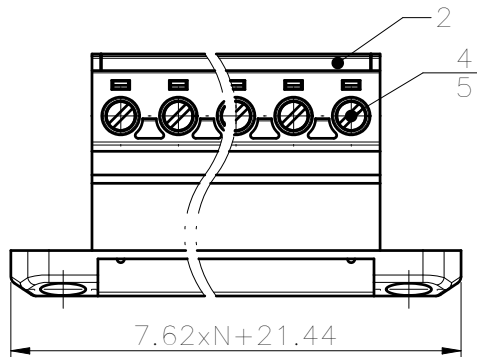
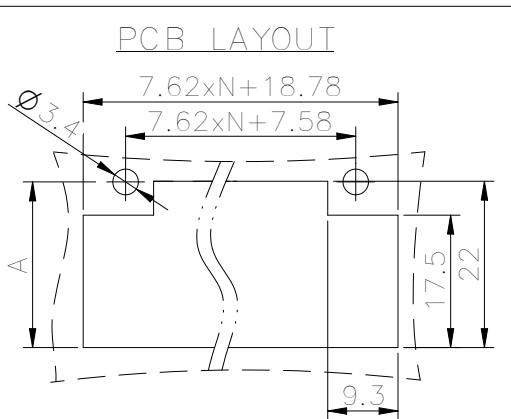


未注公差/General tolerances(mm)													0.1/10
0	>3	>6	>10	>18	>30	>50	>80	>120	>180	>250	>315	>400	
~3	~6	~10	~18	~30	~50	~80	~120	~180	~250	~315	~400	~500	>500
±0.12	±0.18	±0.22	±0.26	±0.31	±0.37	±0.57	±0.80	±0.93	±1.05	±1.15	±1.60	±2.20	±2.50



ITEM	NAME OF PART	MATERIAL	NOTES
6	Screw Cap	Copper Alloy	/
5	Cage	Copper Alloy	M3/Ni Plated
4	Screw	Steel	M3/Zn Plated
3	Pin Header	Copper	Sn Plated
2	Cover	PA66	UL94V-0
1	Housing	PA66	UL94V-0

UL 标准/UL Standard:	B	C	D
额定电压/电流/Rated Voltage(V)/Current(A)	300/35	300/35	600/5
IEC 标准/IEC Standard:			
过压类别/Overvoltage Category/污染等级/Pollution Degree	III/3	III/2	II/2
额定电压/电流/Rated Voltage(V)/Current(A)	400/20	630/20	1000/20
额定脉冲电压(KV)/Rate Impulse Voltage(KV)	6	6	6
螺丝扭矩/Torque Tightening(N·m/Lb.in)	M3: 0.5/4.5		
线径范围(硬线和软线)/Wire Range(rigid and flexible)(AWG/mm <sup>2</sup> )	30~10 / 0.2~4		
间距/Pitch(mm)/线数范围/Poles	7.62/N=02~12P		
剥线长度/Stripping length(mm)	7~8		
使用温度范围/Operating temperature(°C)	-40~+105		
符合 RoHS 环保要求/Conform to RoHS	Yes		



A	21.4	21.9	22.5	23.1	23.7
W(Board thickness)	1	2	3	4	5

REV	ECN	DESCRIPTION	DRFT	DATE
00			朱岳鹏	2022.08.29

APPD:	CHKD:	DRFT:
竺春华	龚耀志	朱岳鹏
2022.08.30	2022.08.29	2022.08.29



MATERIAL:	SURFACE/COLOR:
MAT NO./REV: - / 00	MAT STATUS: 小批量

NAME	5EDGKRP-7.62-XXP-1Y-00A(H)		
------	----------------------------	--	--

DRAWING NO.	TYPE	DRAWING STATUS	SCALE	SHEET
200048770	CUSTOMER DRAWING	已发布	1:1	1/1

Transfer or duplication of this document as well as the utilization or communication of its contents are prohibited unless explicit authorization is granted. Degson will be liable for compensation. All rights reserved for patent, utility model or design registrations. 非经书面明确授权, 否则禁止转让、复制、利用、交本文件内容, 一经发现负法律责任, 本公司保留对涉及发明、实用新型和外观设计的所有权利。