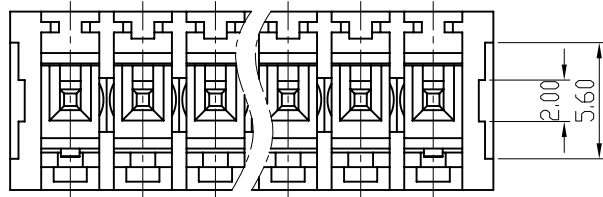


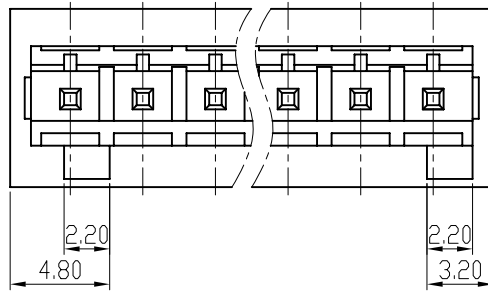
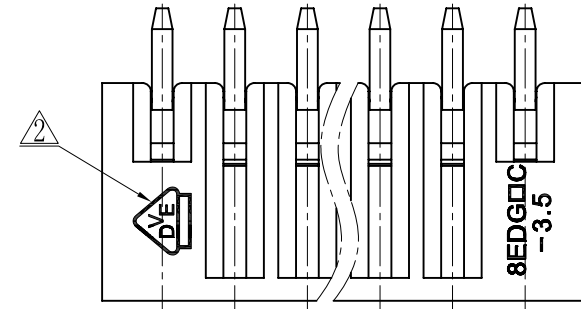
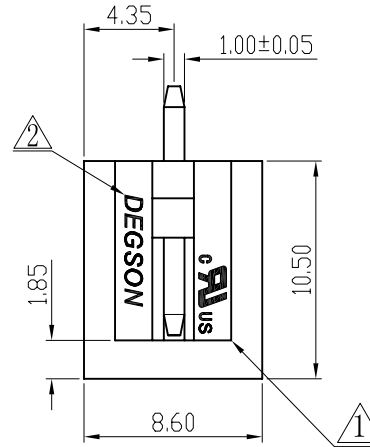
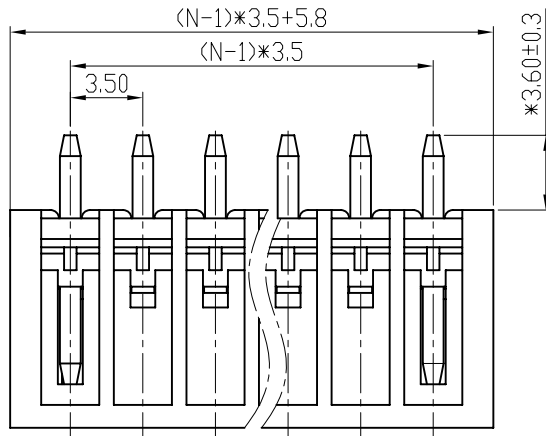
REVISION RECORD					
REV	ECN	DESCRIPTION	DRFT	DATE	
△	10-0067	增加UL刻字和参数	GHY	04/10/10	
△	10-0337	修改“DEGSON”刻字检查及增加“VDE”认证标志	Jinhai.Lan	09/08/10	



Notes:

1. Pitch: 3.5mm , Poles: 2-24P
- △ 2. Rated voltage/current: UL 300V/10A  
VDE 250V/10A
- △ 3. Operation temperatures: -40°C ~ +105°C
4. Withstanding Voltage: AC2000V/1min
5. Insulation Resistance: 1000MΩ/DC500V
6. Undimensioned Tolerances:

Pitch range in mm		Nominal dimension range in mm							
to 6	over 6 to 10	over 10 to 24	to 30	over 30 to 60	over 60 to 100	over 100 to 150	over 150	—	
±0.10	±0.15	±0.25	±0.2	±0.3	±0.5	±0.7	±1	□	



2	8EDGV-Pin header	1115B00010 (H)	XX	Brass	SnCe
1	8EDGR/VC-3.5-Housing	1115A41XXA (H)	1	PA66	UL94V-0
ITEM	NAME OF PART	NO. OF PART	Q'TY	MATERIAL	NOTES
DETACHED LISTS	MM (INCH)	DFTD LYK	DATE	10/19/07'	
	TOLERANCES EXCEPT AS NOTED	CHKD	DATE		
		MFD	DATE		
		APPVL	DATE		
MM	±	MATERIAL :			
.0 ±	±	NAME			
.00 ±	±	8EDGVC-3.5-XXP-11-01A (H)			
.000 ±	±	DRAWING NO. 8EDGVC-3.5-E01			
ANGLES ± 1°	G.E :	/PART NO.			
THIRD ANGLE PROJECTION	FINISH:	SCALE : 1:1			
		DO NOT SCALE DRAWING			
		SHEET 1			OF 1

H  
G  
F  
E  
D  
C  
B  
A