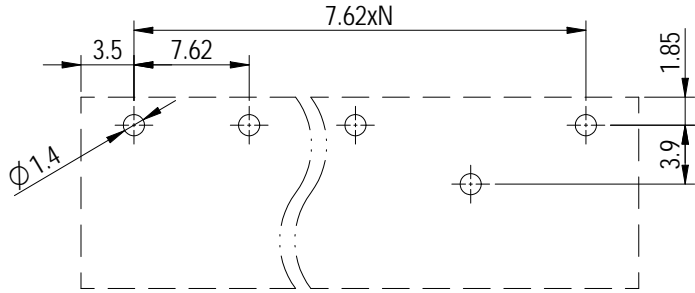
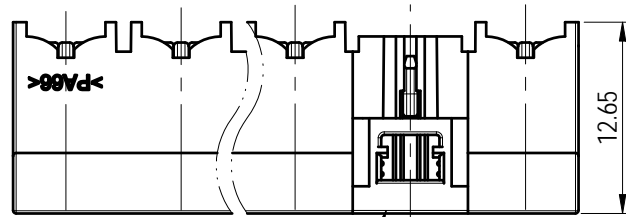
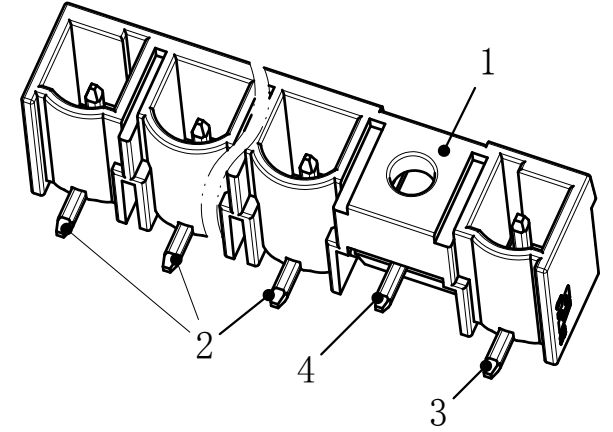


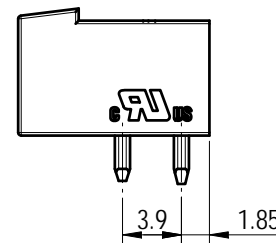
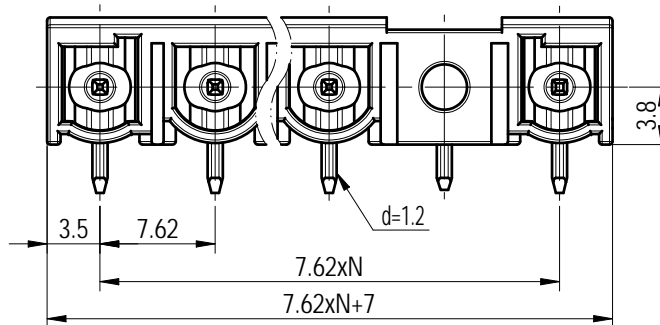
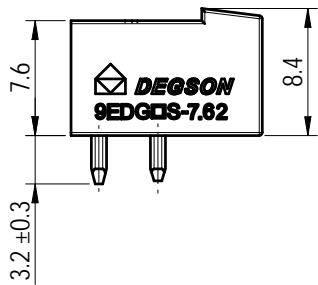
PCB LAYOUT



未注公差/General tolerances (mm)												0.1/10	
0	>3	>6	>10	>18	>30	>50	>80	>120	>180	>250	>315		>400
~3	~6	~10	~18	~30	~50	~80	~120	~180	~250	~315	~400	~500	>500
±0.12	±0.18	±0.22	±0.26	±0.31	±0.37	±0.57	±0.80	±0.93	±1.05	±1.15	±1.60	±2.20	±2.50



Lx: Refers to the fixed position in the X position from left to right



4	Locating pin	Copper alloy	Sn plated
3	Leading pin	Copper	Sn plated
2	Pin	Copper	Sn plated
1	Housing	PA66	UL94V-0
ITEM	NAME OF PART	MATERIAL	NOTES

UL 标准/UL Standard:	B	C	D
额定电压/电流/Rated Voltage(V)/Current(A)	300/20	300/20	600/5
IEC 标准/IEC Standard:			
过压类别/Overvoltage Category/污染等级/Pollution Degree	III/3	III/2	II/2
额定电压/电流/Rated Voltage(V)/Current(A)	400/29	500/29	630/29
额定脉冲电压(KV)/Rate Impulse Voltage(KV)	6	6	4
间距/Pitch(mm)/线数范围/Poles	7.62/N=3~6P		
使用温度范围/Operating temperature(°C)	-40~+105		
符合RoHS环保要求/Conform to RoHS	Yes		

DEGSON

APPD: 兰春华 2023.05.15
 CHKD: 陈招 2023.05.15
 DRFT: 巴宇辉 2023.05.15

MATERIAL:		SURFACE/COLOR:		
MAT NO./REV: - / 00		MAT STATUS: 小批量		
NAME				
9EDGRS-7.62-GR-Lx-XXP-1Y-00Z(H)				
DRAWING NO.	TYPE	DRAWING STATUS	SCALE	SHEET
200114227	CUSTOMER DRAWING	work	2:1	1/1

REV	ECN	DESCRIPTION	DRFT	DATE
00				

Transfer or duplication of this document as well as the utilization or communication of its contents are prohibited unless authorized in writing by Degson Electronics Co., Ltd. All rights reserved for patent. 任何复制或传播此文件以及未经授权的情况下使用其内容均是被禁止的。所有权利均保留给德松电子有限公司。未经许可，不得复制或传播此文件。