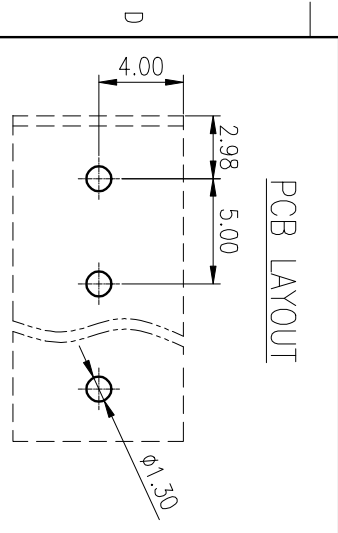
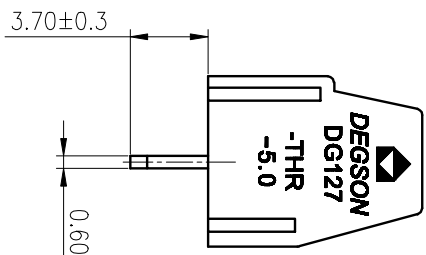
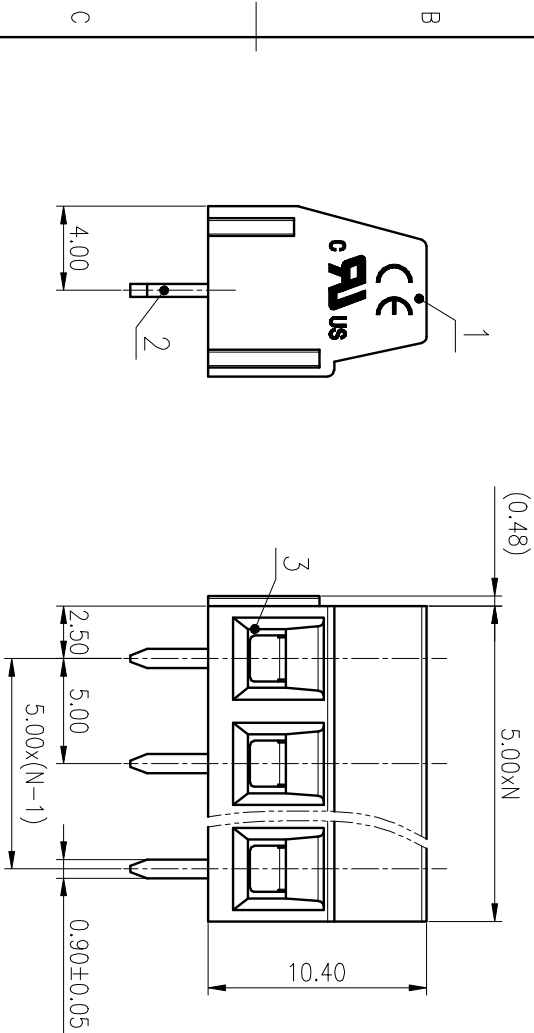
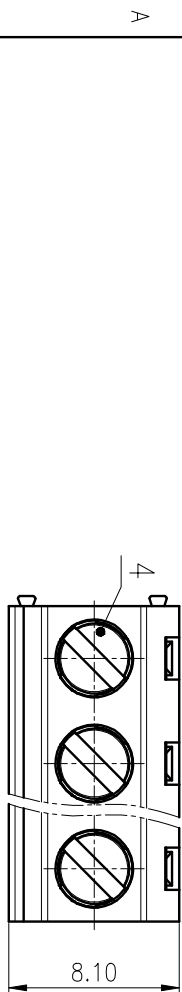


精度等级/General Tolerances(mm)		公差带										形位公差	
0	>3	>6	>10	>18	>30	>50	>80	>120	>180	>250	>315	>400	0.1/10
~	~	~	~	~	~	~	~	~	~	~	~	~	~
3	6	10	18	30	50	80	120	180	250	315	400	500	±Z
±0.12	±0.18	±0.22	±0.26	±0.31	±0.37	±0.57	±0.80	±0.93	±1.05	±1.15	±1.60	±2.20	±2.50



4	Screw	Steel	M3/Zn plated
3	Cage	Copper alloy	M3/Ni plated
2	Pin header	Copper alloy	Sn plated
1	Housing	Thermoplastic	UL94V-0
ITEM	NAME OF PART	MATERIAL	NOTES

UL 标准/UL Standard:	B	C	D
额定电压/电涌/Rated Voltage(V)/Current(A)	300/12	/	/
IEC 标准/IEC Standard:			
过压类别/Overvoltage Category/污染等级/Pollution Degree	III/3	III/2	II/2
额定电压/电涌/Rated Voltage(V)/Current(A)	200/13.5	320/13.5	320/13.5
额定电压/电涌/Rated Voltage(V)/Rate Impulse Voltage(KV)	4.0	4.0	4.0
额定脉冲电压(KV)/Rate Impulse Voltage(KV)	M3.02P	0.34/3.04	
螺栓扭矩/Torque Tightening(N·m/Lb.in)	≥0.3P	0.5/4.43	
绕丝范围(绕线剥线)/Wire Range(rigid and flexible)(mm ² /AWG)	0.2~1.5/30~14		
间距/Pitch(mm)/绕线范围/Poles	5.00/N=02~24P		
剥线长度/Stripping length(mm)	6		
使用温度范围/Operating temperature(°C)	-40~+130		
符合RoHS环保要求/Conform to RoHS	Yes		

MATERIAL:	/
MAT NO.:	/
STATUS:	/
APPD:	LanChH 2020.05.23
CHKD:	YUZH 2020.05.23
DRT:	BGYH 2020.05.23
NAME:	DEGSON® NINGBO DEGSON ELECTRICAL CO., LTD
DRAWING NO.:	DG127-THR-5.0-XXP-1Y-00A(H)
TYPE:	CUSTOMER DRAWING

REV	ECN	DESCRIPTION	DRT	DATE	SIZE: A4	SCALE: 3:1	REV
1					mm		D0-1
2					(inch)		1/1
3							
4							
5							
6							