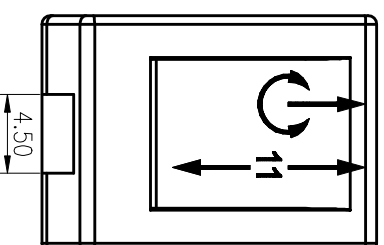
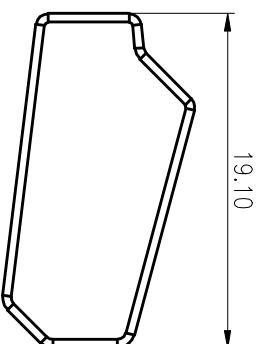
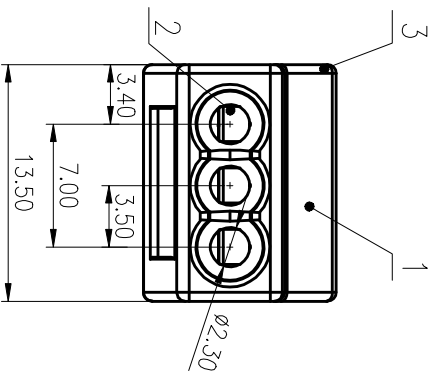
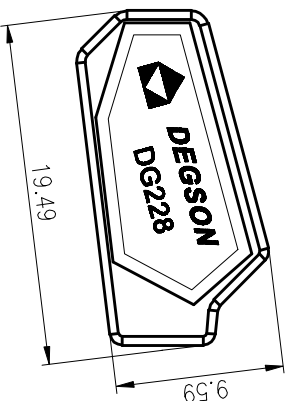
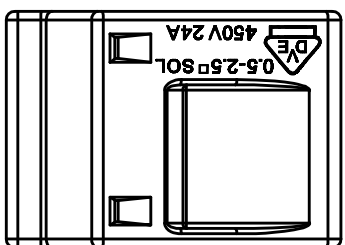


公差等级/General Tolerances(mm)		0.1/1/10	
0	>3	>10	>400
~	~	~	~
3	6	18	500
±0.12	±0.18	±0.22	±0.26
±0.31	±0.37	±0.57	±0.80
±1.05	±1.15	±1.60	±2.20
±2.50	±2.50	±2.50	±2.50



REV	ECN	DESCRIPTION	DRAFT	DATE	SIZE: A4	TYPE: CUSTOMER DRAWING	SCALE: 2.5:1 SHEET	REV	T2
1								1/1	

3	Cover	PC	UL94V-2
2	Metals	Steel	Sn plated
1	Housing	PC	UL94V-2
ITEM	NAME OF PART	MATERIAL	NOTES
UL 标准	UL Standard:	B	C
额定电压/电源/Rated Voltage(V)/Current(A)	600/15	/	/
IEC 标准/IEC Standard:			
过压类别/Overvoltage Category/污染等级/Pollution Degree	III/3	III/2	II/2
额定电压/电源/Rated Voltage(V)/Current(A)	/	450/24	/
工频耐压/Withstanding Voltage(V/Min)	/	AC2500	/
线径范围(硬线和软线)/Wire Range(rigid and flexible)(mm ² /AWG)	0.5~2.5/22~14		
间距/Pitch(mm)/绕线圈数/Poles	3.5/03P		
铜线长度/Stripping length(mm)	10~13		
使用温度范围/Operating temperature(°C)	-40~+85		
符合RoHS环保要求/Conform to RoHS	Yes		

MATERIAL: / SURFACE: /

MAT NO.: /
 STATUS: /
 APPD: LIGL 2020.06.03
 CHKD: Mek 2020.06.03

NAME: **DEGSON® NINGBO DEGSON ELECTRICAL CO., LTD**
DG228-3.5-03P-1Y-00A(H)

DRAWING NO.: DG228-3.5-C03
 DRAFT: LuoXM 2020.06.03
 TYPE: CUSTOMER DRAWING
 SCALE: 2.5:1 SHEET

A B C D

A B C D

1 2 3 4 5 6