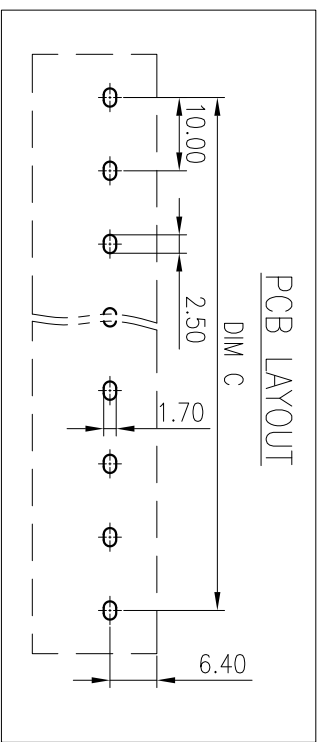
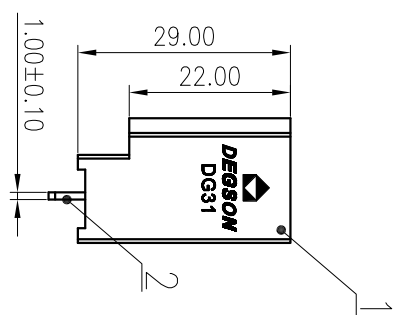
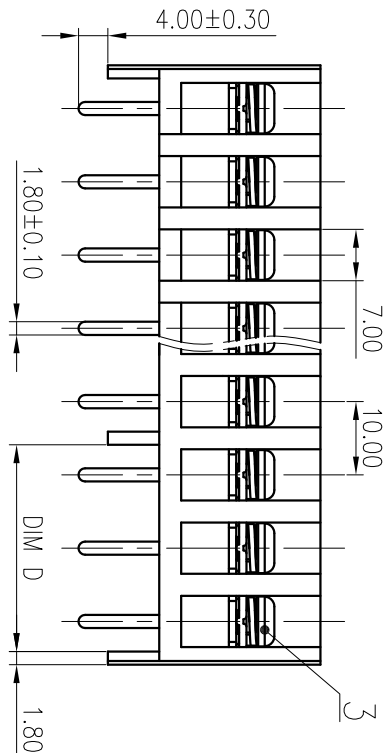
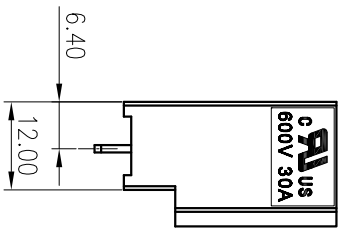
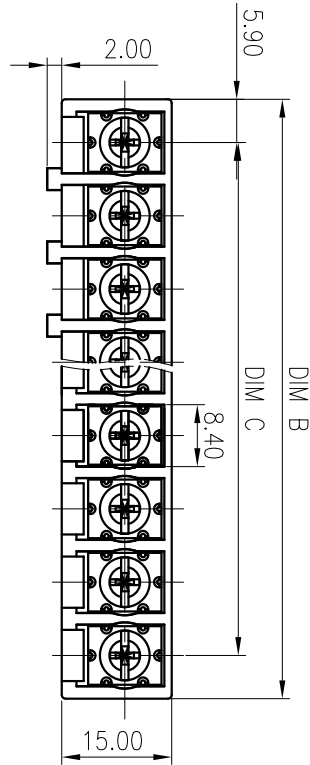


公差 (mm)		公差 (inch)	
0	>3	>6	>18
~2	~5	~10	~30
3	~6	~10	~30
~5	~10	~18	~50
~6	~10	~18	~50
~10	~18	~30	~50
~18	~30	~50	~80
~30	~50	~80	~120
~50	~80	~120	~180
~80	~120	~180	~250
~120	~180	~250	~315
~180	~250	~315	~400
~250	~315	~400	~500
~315	~400	~500	~630
~400	~500	~630	~800
~500	~630	~800	~1000
~630	~800	~1000	~1250
~800	~1000	~1250	~1600
~1000	~1250	~1600	~2000
~1250	~1600	~2000	~2500
~1600	~2000	~2500	~3150
~2000	~2500	~3150	~4000
~2500	~3150	~4000	~5000
~3150	~4000	~5000	~6300
~4000	~5000	~6300	~8000
~5000	~6300	~8000	~10000
~6300	~8000	~10000	~12500
~8000	~10000	~12500	~16000
~10000	~12500	~16000	~20000
~12500	~16000	~20000	~25000
~16000	~20000	~25000	~31500
~20000	~25000	~31500	~40000
~25000	~31500	~40000	~50000
~31500	~40000	~50000	~63000
~40000	~50000	~63000	~80000
~50000	~63000	~80000	~100000
~63000	~80000	~100000	~125000
~80000	~100000	~125000	~160000
~100000	~125000	~160000	~200000
~125000	~160000	~200000	~250000
~160000	~200000	~250000	~315000
~200000	~250000	~315000	~400000
~250000	~315000	~400000	~500000
~315000	~400000	~500000	~630000
~400000	~500000	~630000	~800000
~500000	~630000	~800000	~1000000
~630000	~800000	~1000000	~1250000
~800000	~1000000	~1250000	~1600000
~1000000	~1250000	~1600000	~2000000
~1250000	~1600000	~2000000	~2500000
~1600000	~2000000	~2500000	~3150000
~2000000	~2500000	~3150000	~4000000
~2500000	~3150000	~4000000	~5000000
~3150000	~4000000	~5000000	~6300000
~4000000	~5000000	~6300000	~8000000
~5000000	~6300000	~8000000	~10000000
~6300000	~8000000	~10000000	~12500000
~8000000	~10000000	~12500000	~16000000
~10000000	~12500000	~16000000	~20000000



N=NUMBER OF CONCATS

DIM B	DIM C	DIM D	∩
06P 61.80±0.30	50.00±0.25	18.30±0.30	0.30
07P 71.80±0.30	60.00±0.25	28.30±0.30	0.35
08P 81.80±0.35	70.00±0.25		0.35
09P 91.80±0.40	80.00±0.30	38.30±0.30	0.40
10P 101.80±0.45	90.00±0.35		0.45

ITEM	NAME OF PART	MATERIAL	NOTES
1	Housing	PA66	UL94V-0
2	Pin header	Copper alloy	Sn Plated
3	Screw	Steel	Zn Plated

MATERIAL:	/		
MAT NO.:	/		
STATUS:	/		
APPD:	/		
CHKD:	/		
DRAWING NO.:	DG31-C01	REV	T0
NAME:	DG31-B-XXP-1Y-00A(H)		
DRAWING NO.:	DG31-C01	SCALE:	1:1
TYPE:	CUSTOMER DRAWING	SHEET	1/1

REV	ECN	DESCRIPTION	DRAFT	DATE