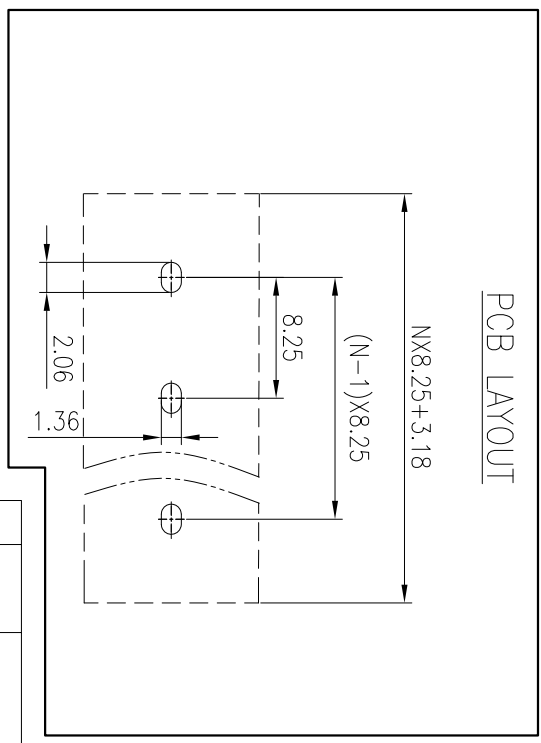
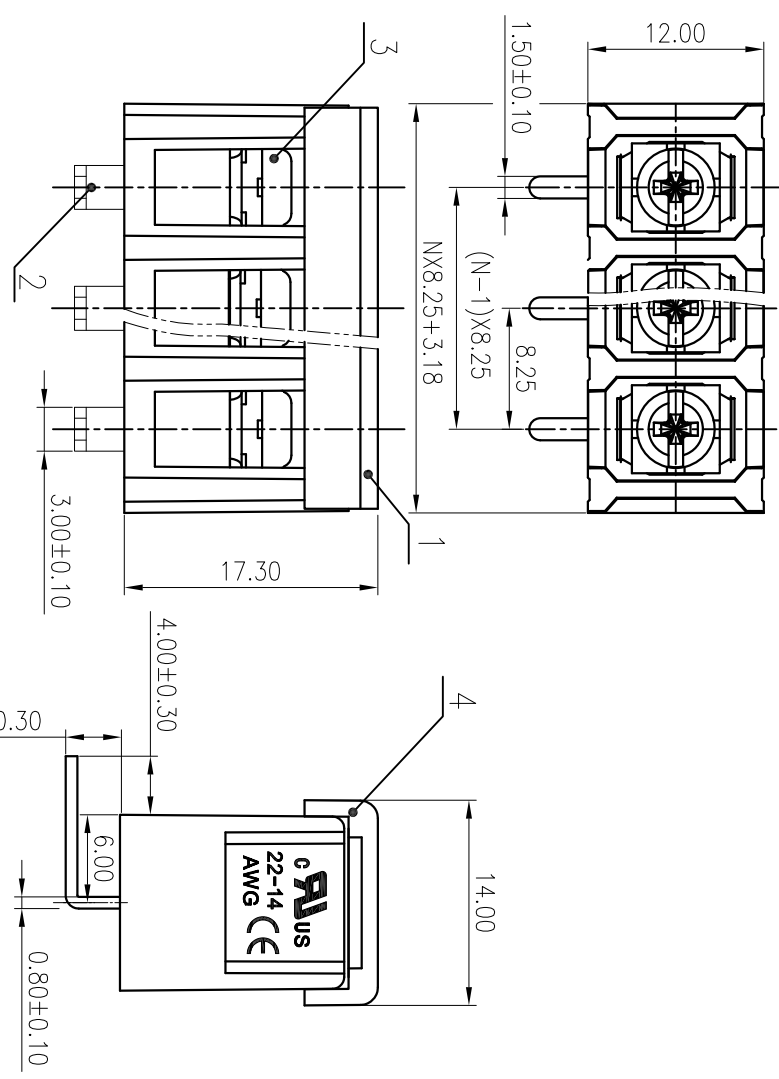


Without Cover



Pitch Range	Over	Over	Nominal Dimension	Over	Over	Over	Over	Range	In mm
±0.15	±0.20	±0.30	±0.30	±0.50	±0.70	±1.00	±1.30	±2*	
6	10	24	30	60	100	150			0.1/10
TO	TO	TO	TO	TO	TO	TO	TO		≤

4	COVER	PC	UL94V-2
3	SCERW	STEEL	NI PLATED
2	PIN HEADER	COPPER ALLOY	Sn PLATED
1	HOUSING	PA66	UL94V-0
ITEM	NAME OF PART	MATERIAL	NOTES

UL 标准/UL Standard:		B	C	D
额定电压/Rated Voltage(V)		300/15	150/15	300/10
EC 标准/IEC Standard:				
过压类别/Overvoltage Category/污染等		III/3	III/2	II/2
级/ Pollution Degree				
额定电压/电流/Rated Voltage(V)/Current(A)		300/24	300/24	600/24
额定脉冲电压(KV)/Rate Impulse Voltage(KV)		5	5	5
额定脉冲电压(KV)/Rate Impulse Voltage(KV)		M3, 0.5/4.43		
额定扭矩/Torque Tightening(N·m/Lb·in)		22~14AWG		
线径范围/Wire Range(AWG)		8.25/N=02~24P		
间距/Pitch(mm)/线数范围/Poles		8		
剥线长度/Stripping Length(mm)		-40~+105		
使用温度范围/Operating temperature(°C)		Yes		
符合RoHS环保要求/Conform to RoHS				

MATERIAL: /
SURFACE: /

MAI NO.: /
STATUS: /
APPD: /
CHKD: /

NAME: **DEGSON** 宁波高松电子有限公司
NINGBO DEGSON ELECTRICAL CO., LTD

DRAWING NO.: DG38R-C02
TYPE: CUSTOMER DRAWING
SCALE: 2:1
SHEET 1/1

REV	ECN	DESCRIPTION	DRAFT	DATE