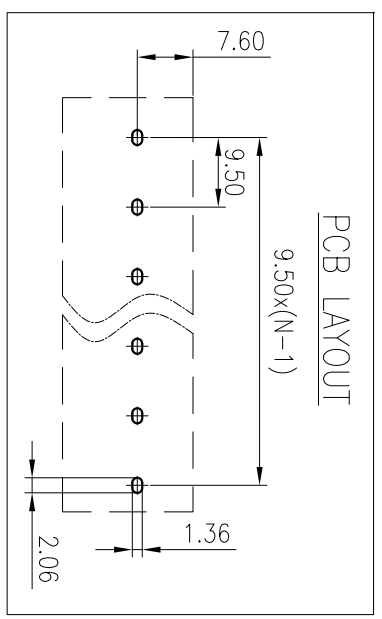
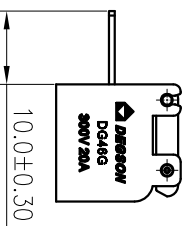
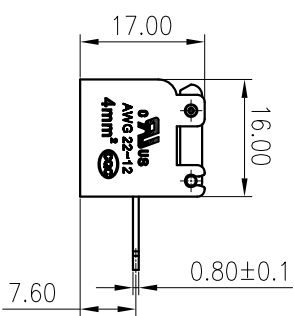
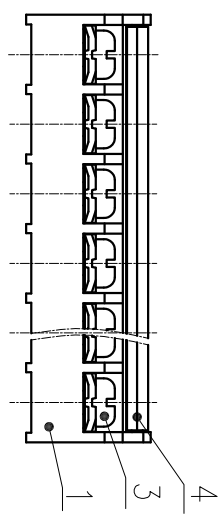
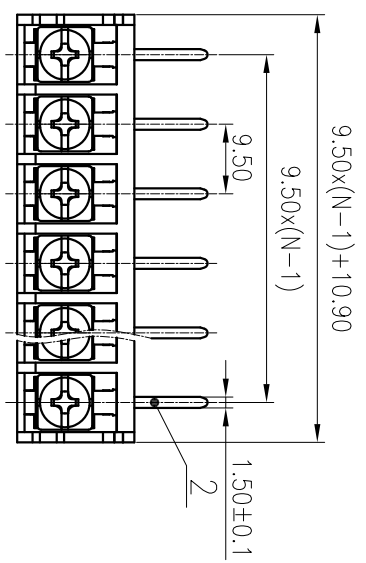


公差/General Tolerances(mm)		0	>3	>6	>10	>18	>30	>50	>80	>120	>180	>250	>315	>400	0.1/1.0
~	~	~	~	~	~	~	~	~	~	~	~	~	~	~	~
±0.12	±0.18	±0.22	±0.26	±0.31	±0.37	±0.57	±0.80	±0.93	±1.05	±1.15	±1.60	±2.20	±2.50	±2	±Z



4	Cover	PC	UL94V-2
3	Screw	Steel	M4/Ni Plated
2	Pin Header	Copper Alloy	Sn Plated
1	Housing	PA66	UL94V-0
ITEM	NAME OF PART	MATERIAL	NOTES
UL 标准/UL Standard: B C D			
额定电压/电压/Rated Voltage(V)/Current(A) 300/20 150/20 300/10			
EC 标准/EC Standard: 过压类别/Overvoltage Category/污秽等级/Pollution Degree III/3 III/2 II/2			
额定电压/电压/Rated Voltage(V)/Current(A) 300/32 300/32 600/32			
额定脉冲电压(KV)/Rate Impulse Voltage(KV) 4 4 4			
额定扭矩/Torque Tightening(N·m/Lb·in) M4: 1.2/10.53			
线径范围(硬线和软线)/Wire Range(rigid and flexible)(mm ² /AWG) 0.5~4/22~12			
间距/Pitch(mm)/线数范围/Poles 9.5/N=02~12P			
使用温度范围/Operating temperature(°C) -40~+105			
符合RoHS环保要求/Conform to RoHS Yes			

MATERIAL: / SURFACE: /

MAT NO.: /

STATUS: /

APPD: /

CHKD: /

DRFT: XieXD 2020.05.28

NAME: **DEGSON** 宁波高松电子有限公司
NINGBO DEGSON ELECTRICAL CO., LTD

REV	ECN	DESCRIPTION	DRFT	DATE

REV	ECN	DESCRIPTION	DRFT	DATE

SIZE: A4	SCALE: 1:1	REV	T0
mm (inch)	SCALE: 1:1	REV	T0
TYPE: CUSTOMER DRAWING	SCALE: 1:1	SHEET	1/1