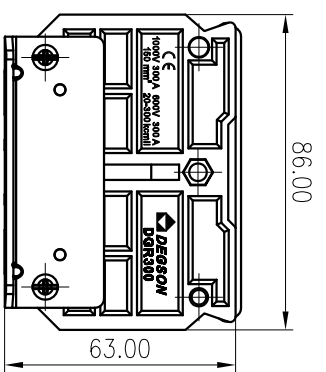
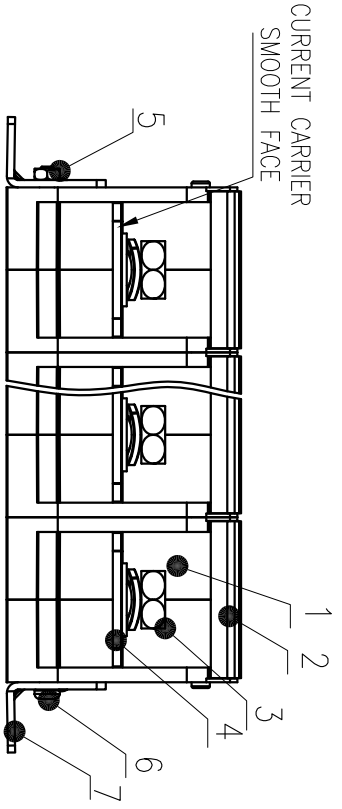
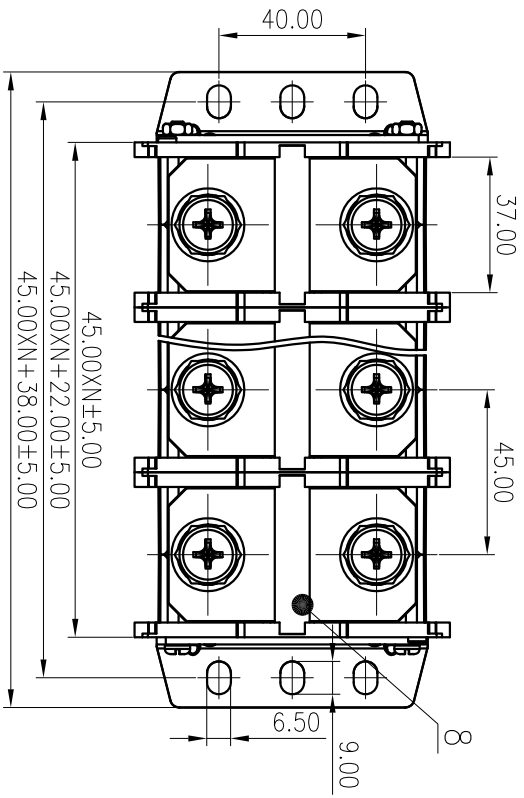


(W/O COVER)



Pitch Range in mm		Nominal Dimension Range in mm				Tolerance	
Over	Over	Over	Over	Over	Over	Over	0.1/1.0
6	10	10	30	60	100	150	
TO	TO	TO	TO	TO	TO	TO	≤
6	10	24	30	60	100	150	
±0.15	±0.20	±0.30	±0.30	±0.50	±0.70	±1.00	±1.30
							±2°

ITEM	NAME OF PART	MATERIAL	NOTES
8	TAG	PVC	UL94V-0
7	FASTENER	STEEL	Zn Plated
6	CONNECT PILLAR	STEEL	Zn Plated
5	NUT	STEEL	Zn Plated
4	CURRENT CARRIER	COPPER ALLOY	Ni Plated
3	SCREWS	STEEL	Zn Plated
2	TRANSPARENT COVER	PC	UL94V-0
1	HOUSING	PC	UL94V-0

UL 标准/UL Standard:	B	C	D
额定电压/电流/Rated Voltage(V)/Current(A)	600/300	600/300	600/5
EC 标准/IEC Standard:			
过压类别/Overvoltage Category/污染等级/Pollution Degree	III/3	III/2	II/2
额定电压/电流/Rated Voltage(V)/Current(A)	1000/300	1000/300	1000/300
扭矩/ Torque Tightening(N.m/Lb.in)	M1.0, 8.9/80.00		
线径范围/Wire Range(Kcmil)	20~300Kcmil		
间距/Pitch(mm)/线数范围/Poles	45.00/N=01~11P		
使用温度范围/Operating temperature(°C)	-40~+125		
符合RoHS环保要求/Conform to RoHS	Yes		

MATERIAL: / SURFACE: /

MAI NO.: /

STATUS: /

APPD: /

CHKD: /

DRAFT: Yujin 2015.03.26

DRAWING NO.: DGR300-C03

TYPE: CUSTOMER DRAWING

REV	ECN	DESCRIPTION	DRAFT	DATE

REV	ECN	DESCRIPTION	DRAFT	DATE

SIZE: A4

SCALE: 1:2

SHEET 1/1

1 2 3 4 5 6

REV TO