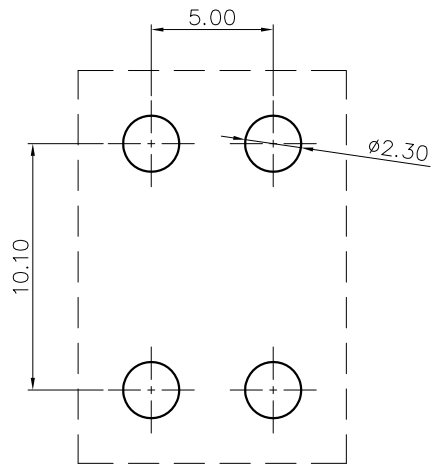
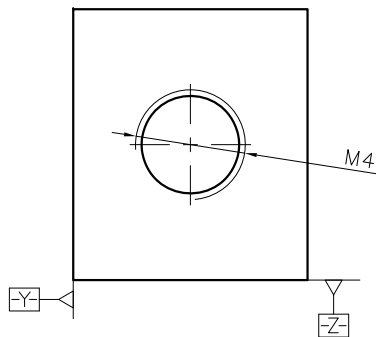


REVISION RECORD

REV	ECN	DESCRIPTION	DRFT	DATE
-----	-----	-------------	------	------



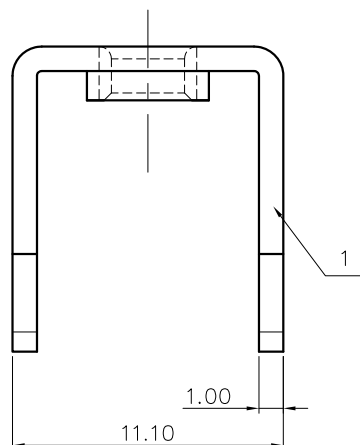
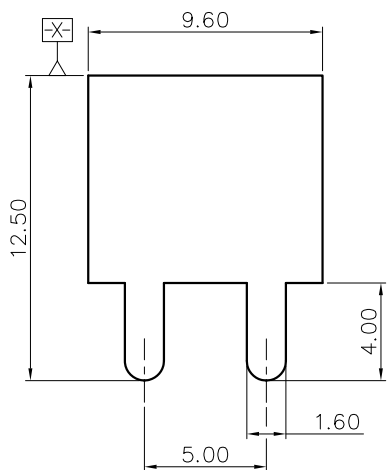
PCB LAYOUT

NOTES:

1. Rated current : 40A
2. Torque value : M4, 10.53Lb.in
3. Dimension shall be interpreted per ASME Y14.5-2009
4. Undimensioned tolerances:

Pitch range in mm		Nominal dimension range in mm						-	\cap	Δ
TO	Over	Over	Over	Over	Over	Over	0.1/10			
6	6 TO 10	10 TO 24	30 TO 60	60 TO 100	100 TO 150	150	<			
	± 0.15	± 0.20	± 0.30	± 0.50	± 0.70	± 1.00	± 1.30	$\pm 2'$		

5. RoHS Compliance



K31 - 00A (H)
 (Series No.) (RoHS)
 00A - (Standard)

ITEM	NAME OF PART	MATERIAL	NOTES
1	Pin header	Copper alloy	Sn Plated

DETACHED LISTS	PART NO.:	宁波高松电子有限公司 NINGBO DEGSON ELECTRICAL CO., LTD		
	APPD:	NAME:		
	CHKD:	K31-00A(H)		
	DRFT: XXY 08/25/16"	TITLE: CUSTOMER DRAWING	REV	TO
		DRAWING NO.: K31-C01	SHEET	1/1
	MM (INCH)	DO NOT SCALE DRAWING	SCALE	1:1