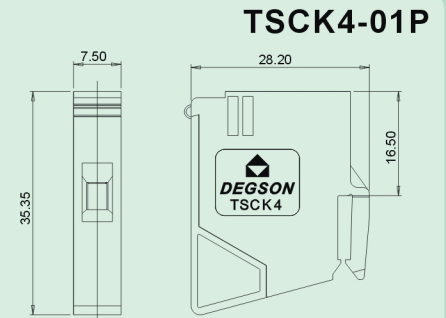
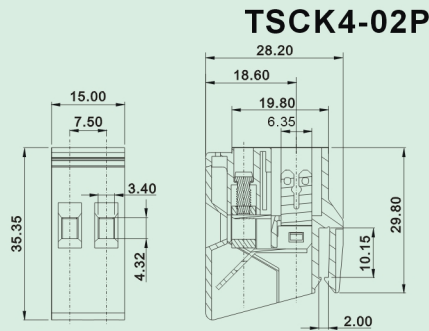




## TSK4-02P/TSCK4-01P

变压器快接端子连接。  
Quick connection transformer  
terminal block.



### 技术参数 Technical data

APPROVAL: CE c RU us

型号 Model	线径 Wire range (AWG/mm <sup>2</sup> )	线数 Poles	IEC60947技术参数 (IEC60947 data sheet)		UL1059技术参数 (UI1059 data sheet)	
			电压(V) Rated voltage	电流(A) Rated current	电压(V) Rated voltage	电流(A) Rated current
TSCK4-01P	30-10/0.2-4.0	01P	800	32	600	30
TSCK4-02P	-	02P	800	32	600	30

### 应用行业 Application

工业自动化、电梯等行业。  
industrial automation, elevator etc.



### 产品包装方式 Packing

Product model	Pcs./Pkt.
TSCK4-01P	410
TSCK4-02P	410

### 型号对照 Cross reference

DEGSON	同行1/Competitor1	同行2/Competitor2
TSCK4-01P	P/TRKS4-FS	-
TSCK4-02P	P/TRKS4-FS	-

### 产品订货 How to order

TSCK4	-	X	X	P	-	1	Y	-	0	0	A(H)
Series NO.		NO. of pole							Standard		
		1	2						通用色	General Color	
		Single pitch	Double pitch			5	Orange		PANTONE	158C	
									DEGSON	15	