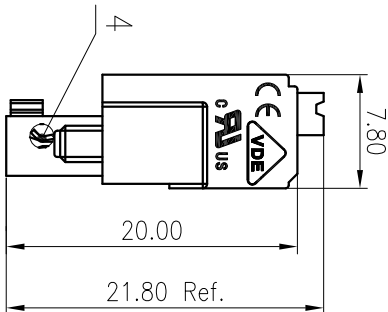
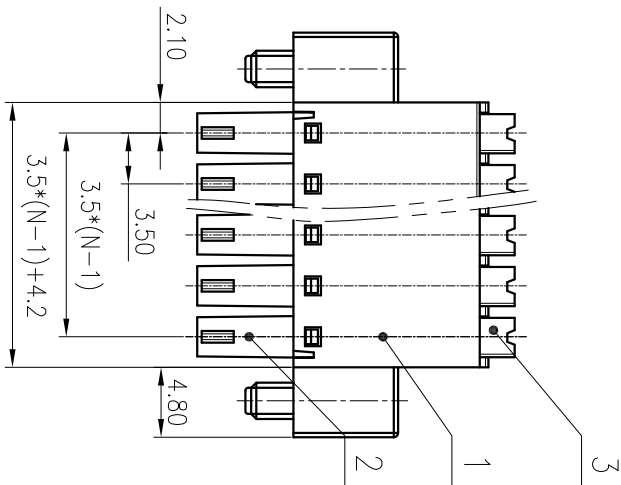
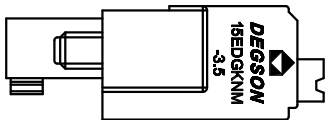
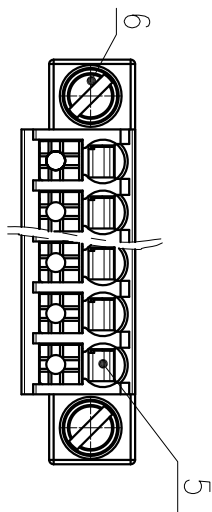


标称公差/General tolerances(mm)		公差带										形位公差	
0	>3	>6	>10	>18	>30	>50	>80	>120	>180	>250	>315	>400	0.1/10
~	~	~	~	~	~	~	~	~	~	~	~	~	0.1/10
3	6	10	18	30	50	80	120	180	250	315	400	500	~
±0.12	±0.18	±0.22	±0.26	±0.31	±0.37	±0.57	±0.80	±0.93	±1.05	±1.15	±1.60	±2.20	±2.50
~	~	~	~	~	~	~	~	~	~	~	~	~	±2



6	Screw	Steel	Zn Plated
5	Spring	Stainless steel	
4	Clamp	Copper alloy	Sn plated
3	Button	POM	UL94HB
2	Cover	PA66	UL94V-0
1	Housing	PA66	UL94V-0
ITEM	NAME OF PART	MATERIAL	NOTES
UL 标准/UL Standard: B C D			
额定电压/电流/Rated Voltage(V)/Current(A) 300/8 300/8			
EC 标准/IEC Standard: B C D			
过压类别/Overvoltage Category/污染等 11/2 / /			
级/Pollution Degree 250/8 / /			
额定电压/电流/Rated Voltage(V)/Current(A) 250/8 / /			
额定脉冲电压(KV)/Rate Impulse Voltage(KV) 2.5 / /			
线径范围(硬线和软线)/Wire Range(rigid and flexible)(mm <sup>2</sup> /AWG) 28~16/0.2~1.0			
间距/Pitch(mm)/线数范围/Poles 3.50/N=02~22P			
剥线长度/Stripping length(mm) 10			
使用温度范围/Operating temperature(°C) -40~+105			
符合RoHS环保要求/Conform to RoHS Yes			

MATERIAL: /

MAT NO.: /

STATUS: /

APPD: LIGL 2020.06.15

CHKD: MoEK 2020.06.15

DRFT: Ethon 2017.03.03

**DEGSON** 宁波高松电子有限公司  
NINGBO DEGSON ELECTRICAL CO., LTD

NAME: 15EDGKNM-3.5-XXP-1Y-1000A(H)

DRAWING NO.: 15EDGKN-3.5-C04

TYPE: CUSTOMER DRAWING

SURFACE: /

REV	ECN	DESCRIPTION	DRFT	DATE

SIZE	SCALE	SHEET
A4	2:1	1/1