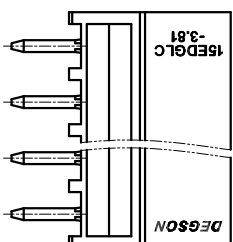
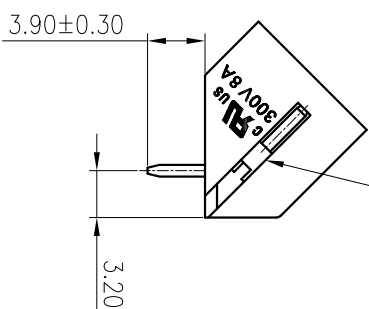
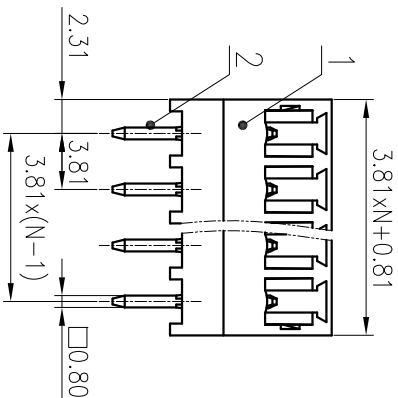
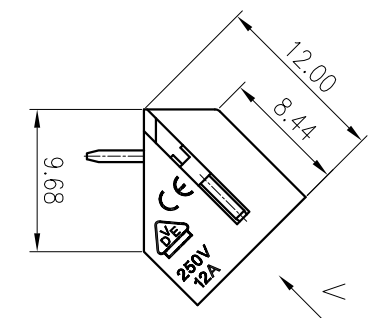
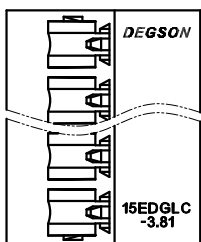
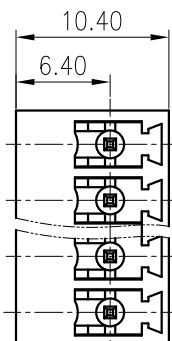


0	>3	>6	>10	>18	>30	>50	>80	>120	>180	>250	>315	>400	0.1/1.0
3	~	~	~	~	~	~	~	~	~	~	~	~	>500
6	~	~	~	~	~	~	~	~	~	~	~	~	~
F0.12	F0.18	F0.22	F0.26	F0.31	F0.37	F0.57	F0.80	F0.93	F1.05	F1.15	F1.60	F2.20	F2.50

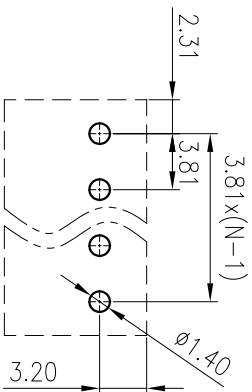
VIWE V



Line greater than 6P, NO slots

2	Pin	Copper Alloy	Sn Plated
1	Housing	PA66	UL94V-0
ITEM	NAME OF PART	MATERIAL	NOTES

UL 标准/UL Standard:	B	C	D
额定电压/电流/Rated Voltage(V)/Current(A)	300/8	/	300/8
EC 标准/IEC Standard:			
过压类别/Overvoltage Category/污染等级/Pollution Degree			II/2
额定电压/电流/Rated Voltage(V)/Current(A)			250/12
额定脉冲电压(KV)/Rate Impulse Voltage(KV)			2.5
间距/Pitch(mm)/线圈范围/Poles			3.81/N=02~24P
使用温度范围/Operating temperature(°C)			-40~+105
符合RoHS环保要求/Conform to RoHS			Yes



PCB LAYOUT

REV	ECN	DESCRIPTION	DRFT	DATE
MATERIAL: / SURFACE: / MAT NO.: / STATUS: / APPD: Lon CHH 2020.05.23 CHKD: YU JZh 2020.05.23 DRFT: YZ 2015.11.04 NAME: DEGSON 宁波高松电子有限公司 NINGBO DEGSON ELECTRICAL CO., LTD DRAWING NO.: 15EDGLC-3.81-C01 TYPE: CUSTOMER DRAWING SCALE: 2:1 REV T1 SHEET 1/1				