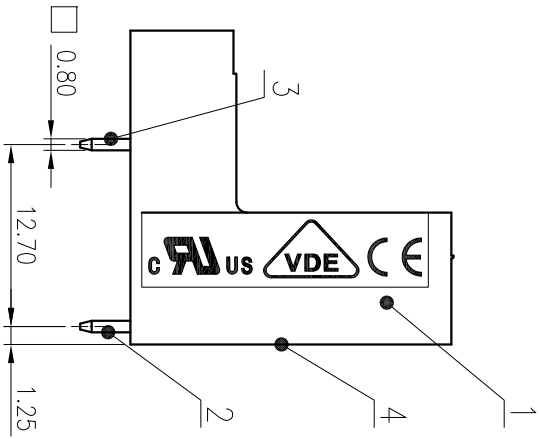
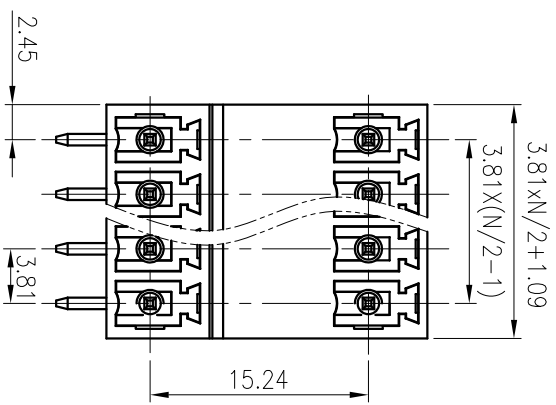
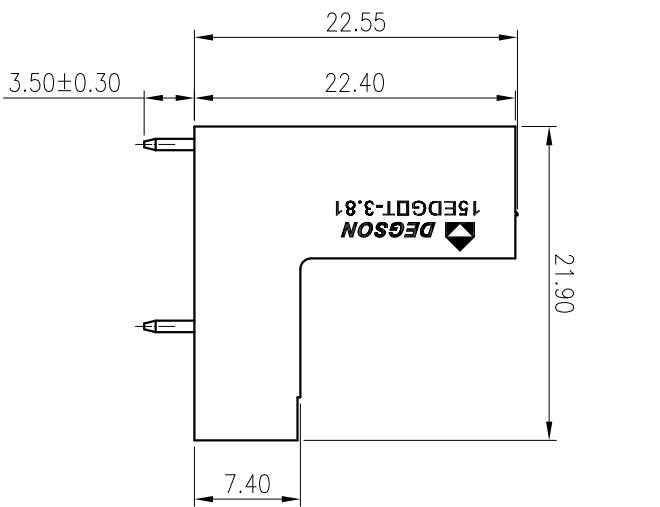
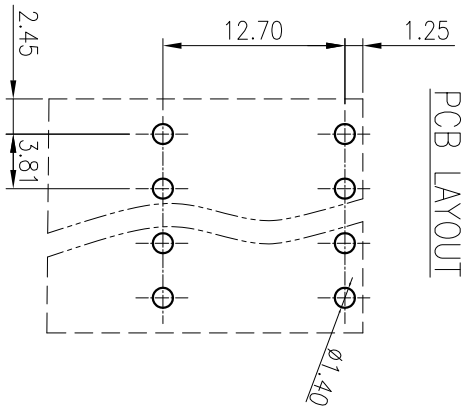


公差范围/General Tolerances(mm)		0	>3	>6	>10	>18	>30	>50	>80	>120	>180	>250	>315	>400	>500	0.1/10
±0.12	±0.18	±0.22	±0.26	±0.31	±0.37	±0.43	±0.51	±0.57	±0.63	±0.70	±0.80	±1.05	±1.15	±1.60	±2.20	±2.50
±Z																



PCB LAYOUT



4	Cover	PA66	UL94V-0
3	Pin 2	Copper alloy	Sn plated
2	Pin 1	Copper alloy	Sn plated
1	Housing	PA66	UL94V-0

UL 标准/UL Standard:	B	C	D
额定电压/电流/Rated Voltage(V)/Current(A)	300/8	/	/
EC 标准/EC Standard:			
过压类别/Overvoltage Category/污秽等级/ Pollution Degree	III/3	III/2	II/2
额定电压/电流/Rated Voltage(V)/Current(A)	/	/	250/7
额定脉冲电压(kV)/Rate Impulse Voltage(kV)	/	/	2.5
间距/Pitch(mm)/线数范围/Poles	3.81/N=04~48P		
使用温度范围/Operating Temperature(°C)	-40~+105		
符合RoHS环保要求/Conform to RoHS	Yes		

MATERIAL: SURFACE: Yes

MAT NO.: /
 STATUS: /
 APPD:lan ChH 2020.05.27
 CHKD:YU JZh 2020.05.27
 DRAFT: Wu LF 2020.05.27

NAME: **DEGSON** 宁波高松电子有限公司
 NINGBO DEGSON ELECTRICAL CO., LTD

15EDGRT-3.81-XXP-1Y-00A(H)
 DRAWING NO.: 10002165
 TYPE: CUSTOMER DRAWING
 SCALE: 2:1
 SHEET 1/1

REV	ECN	DESCRIPTION	DRAFT	DATE

REV	ECN	DESCRIPTION	DRAFT	DATE