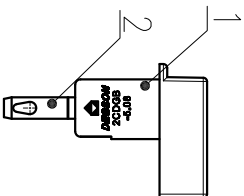
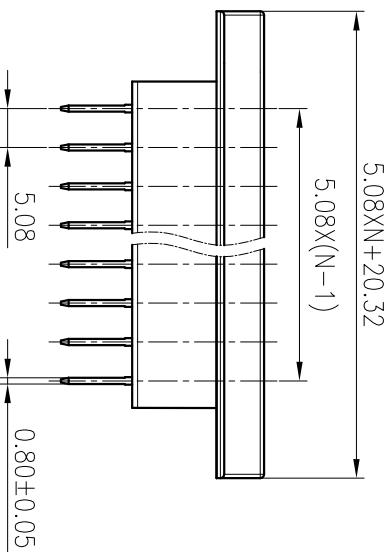
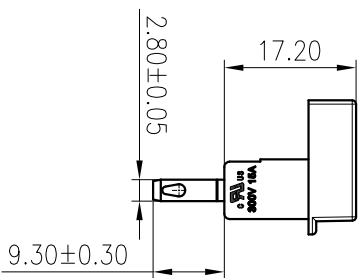
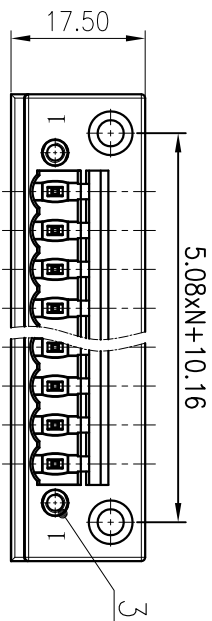
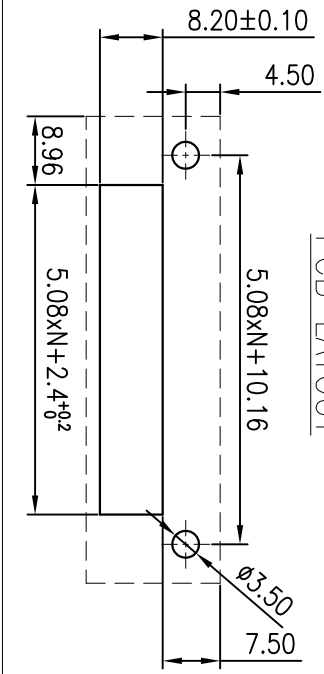


PCB LAYOUT



公差/General Tolerances(mm)		0	>3	>6	>10	>18	>30	>50	>80	>120	>180	>250	>315	>400	>500	0.1/10
±0.12	±0.18	±0.22	±0.26	±0.31	±0.37	±0.57	±0.80	±0.93	±1.05	±1.15	±1.60	±2.20	±2.50	±2.50	±2.50	±2

研发中心
2020.05.18
(仅限内部使用, 对外无效)

ITEM	NAME OF PART	MATERIAL	NOTES
3	Screw Cap	Copper Alloy	/
2	Pin	Copper Alloy	Sn Plated
1	Housing	PA66	UL94V-0

UL 标准/UL Standard:	B	C	D
额定电压/Rated Voltage(V)	300/15	/	300/10
IEC 标准/IEC Standard:			
过压类别/Overvoltage Category/污染等级/Pollution Degree	III/3	III/2	II/2
额定电压/电流/Rated Voltage(V)/Current(A)	/	320/12	/
额定脉冲电压/Rate Impulse Voltage(KV)	/	4.0	/
间距/Pitch(mm)/线数范围/Poles	5.08/N=02~24P		
使用温度范围/Operating temperature(°C)	-40~+105		
符合RoHS环保要求/Conform to RoHS	Yes		

MATERIAL: / SURFACE: /

MAT NO.: /
STATUS: /
APPD: LonChH 2020.05.18
CHKD: GonYZh 2020.05.18
DRFT: ChenZhm 2020.05.18

NAME: 2CDGB-5.08-XXP-1Y-00A(H)
DRAWING NO.: 10002088

DRFT: ChenZhm 2020.05.18
TYPE: CUSTOMER DRAWING
SCALE: 1:1
REV: TO
SHEET: 1/1

REV	ECN	DESCRIPTION	DRFT	DATE

REV	ECN	DESCRIPTION	DRFT	DATE

宁波高松电子有限公司
NINGBO DEGSON ELECTRICAL CO., LTD