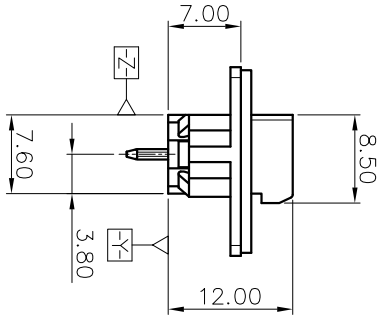
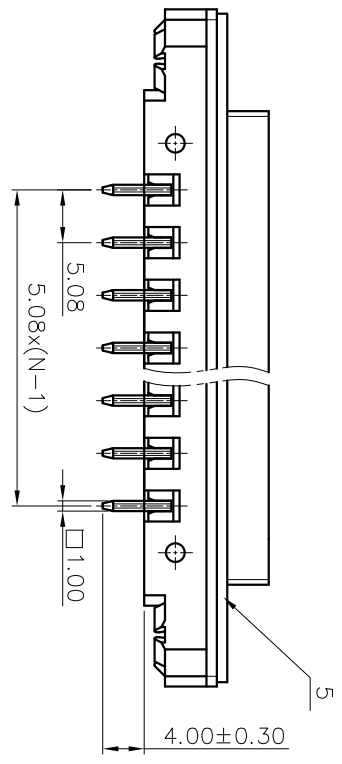
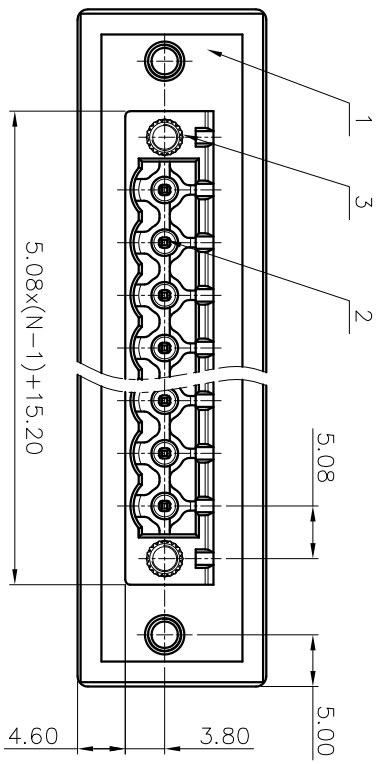


REVISION RECORD			
REV	ECN	DESCRIPTION	DATE

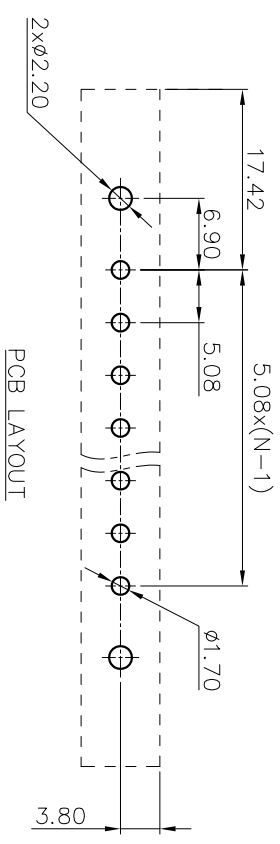
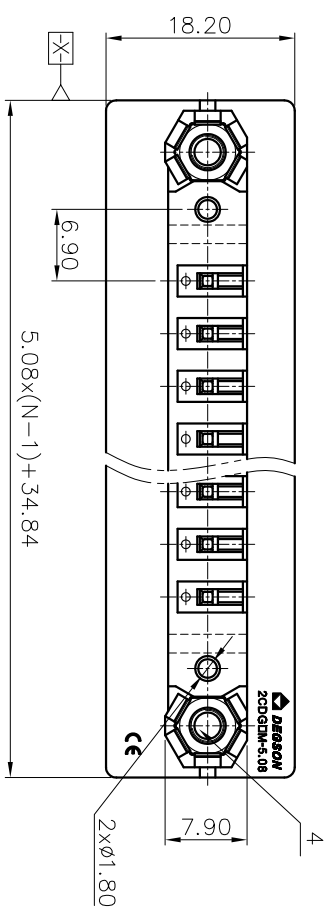


NOTES1:
UL Standard
1. Rated voltage/current : 300V / 15A
2. Withstanding voltage : AC1600V/1Min.
IEC Standard
1. Pollution degree 2 2 3
Overvoltage category II III III
Rate impulse voltage(KV) 4.0KV 4.0KV 4.0KV
Rate voltage(V) 400V 320V 250V
Rate current(A) 12A

NOTES2:
1. Dimension shall be interpreted per ASME Y14.5-2009
2. Pitch : 5.08mm, Poles : N=02~22P
3. Operating temperature: -40°C~+105°C
4. Undimensioned tolerances:
Pitch range in mm

mm	Over	Over	Over	Over	Over	Over	Over
6	10	10	30	60	100	150	0.1/10
TO	TO	TO	TO	TO	TO	TO	≤
6	10	24	30	60	100	150	
±0.15	±0.20	±0.30	±0.30	±0.50	±0.70	±1.00	±1.30

5. RoHS Compliance



DETACHED LISTS

PART NO.:	/
APPD:	
CHKD:	
DRFT:	LYP 08/22/16"

THIRD ANGLE PROJECTION

5	Dust mat	EVA	UL94V-0
4	Nut 2	Steel	M3/Zn Plated
3	Nut 1	Copper alloy	M2.5
2	Pin	Copper alloy	Sn Plated
1	Housing	PA66	UL94V-0

NAME: **DEGSON** 宁波高松电子有限公司
NINGBO DEGSON ELECTRICAL CO., LTD

TITLE: CUSTOMER DRAWING

DRAWING NO.: ZCDGVM-5.08-C02

SCALE: DO NOT SCALE DRAWING

REV	TO