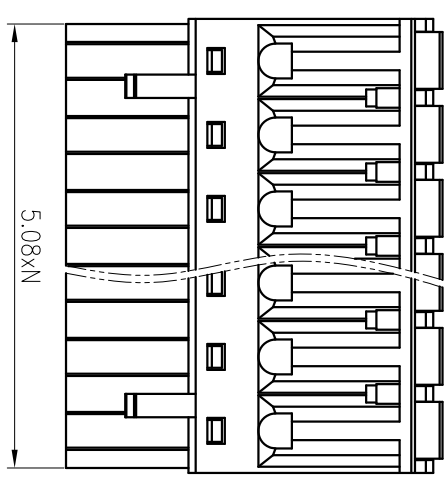
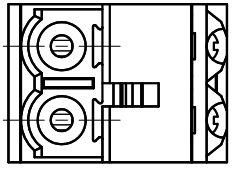
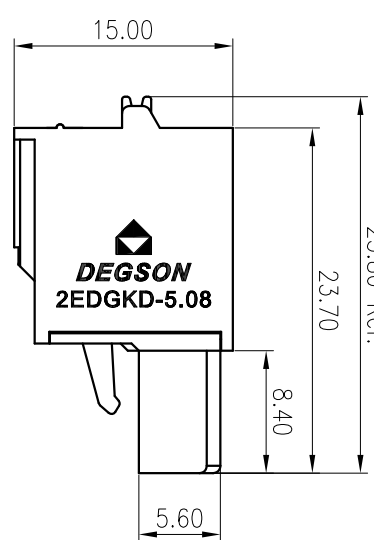
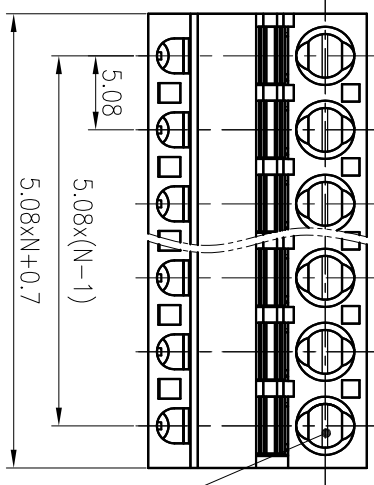
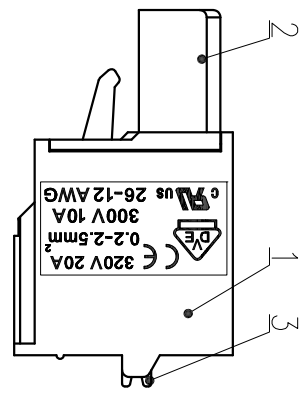
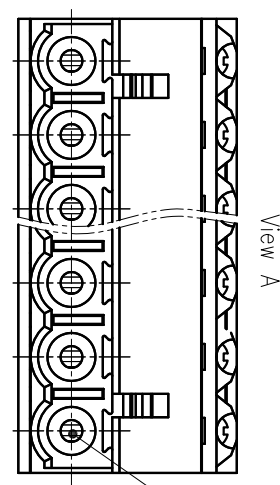


标注公差/General tolerances(mm)		0	>3	>6	>10	>18	>30	>50	>80	>120	>180	>250	>315	>400	>500	0.1/10
~	~	~	~	~	~	~	~	~	~	~	~	~	~	~	~	~
±0.12	±0.18	±0.22	±0.26	±0.31	±0.37	±0.57	±0.80	±0.93	±1.09	±1.15	±1.60	±2.20	±2.50	±2.50	±2.7	±2.7



5	Spring	Stainless steel	/
4	Clamp	Copper alloy	Sn Plated
3	Button	PA66	UL94V-0
2	Cover	PA66	UL94V-0
1	Housing	PA66	UL94V-0
ITEM	NAME OF PART	MATERIAL	NOTES
UL 标准/UL Standard: B C D			
额定电压/电流/Rated Voltage(V)/Current(A) 300/10 / 300/10			
EC 标准/IEC Standard: III/3 III/2 II/2			
过压类别/Overvoltage Category/污染等级 III/3 III/2 II/2			
级/Pollution Degree III/3 III/2 II/2			
额定电压/电源/Rated Voltage(V)/Current(A) / 320/20 /			
额定脉冲电压(KV)/Rate Impulse Voltage(KV) / 4 /			
线径范围(硬线和软线)/Wire Rongel(rigid and flexible)(mm <sup>2</sup> /AWG) 0.2~2.5/26~12			
间距/Pitch(mm)/线数范围/Poles 5.08/N=02~24P			
剥线长度/Stripping length(mm) 9~10			
使用温度范围/Operating temperature(°C) -40~+105			
符合RoHS环保要求/Conform to RoHS Yes			

MATERIAL:

MAT NO.:

STATUS:

APPD: Li GL 2020.05.26

CHKD: Ma EK 2020.05.26

DRFT: ZDF 2018.02.27

**DEGSON** 宁波高松电子有限公司  
NINGBO DEGSON ELECTRICAL CO., LTD

NAME: **2EDGKD-5.08-XXP-1Y-00A(H)**

DRAWING NO.: 2EDGKD-5.08-001

TYPE: CUSTOMER DRAWING SCALE: 2:1 SHEET 1/1

REV	ECN	DESCRIPTION	DRFT	DATE
1				
2				
3				
4				