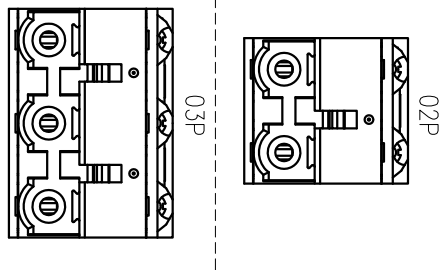
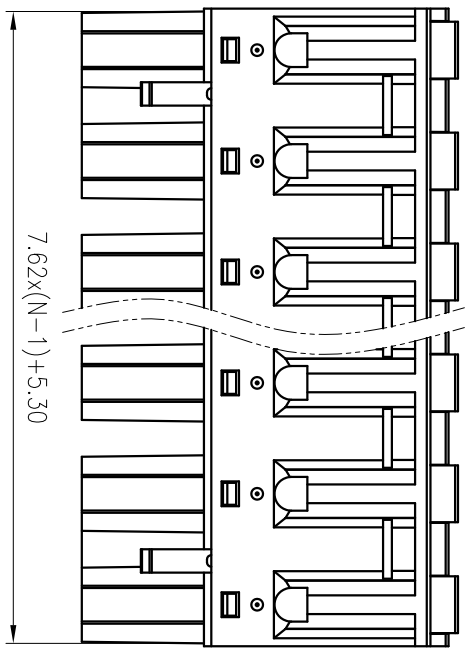
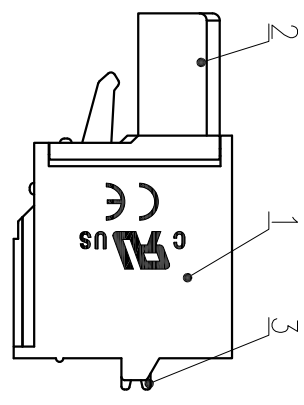
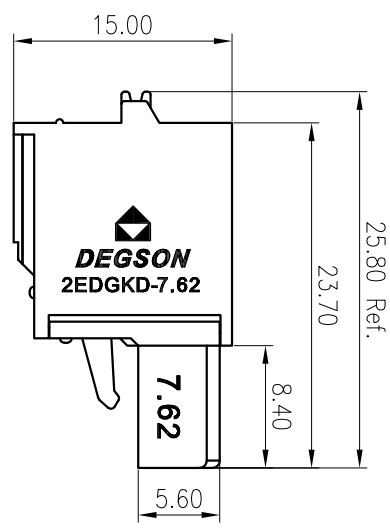
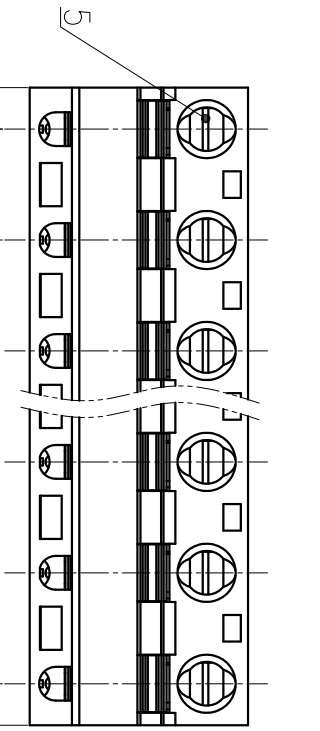
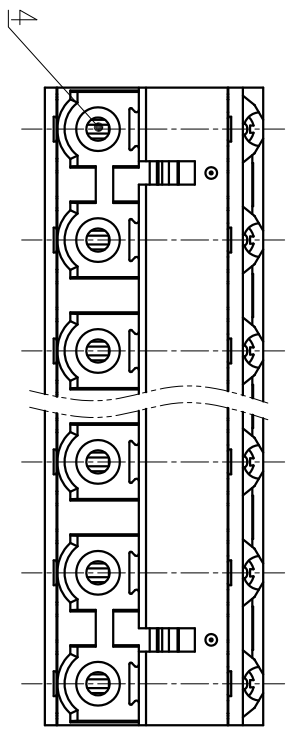


公差表/General tolerances(mm)		0	>3	>6	>10	>18	>30	>50	>80	>120	>180	>250	>315	>400	>500	0.1/10
~	~	~	~	~	~	~	~	~	~	~	~	~	~	~	~	~
3	6	10	18	30	50	80	120	180	250	315	400	500				
±0.12	±0.18	±0.22	±0.26	±0.31	±0.37	±0.57	±0.80	±0.93	±1.08	±1.15	±1.60	±2.20	±2.50			±2'



5	Spring	Stainless steel	/
4	Clamp	Copper alloy	Sn Plated
3	Button	PA66	UL94V-0
2	Cover	PA66	UL94V-0
1	Housing	PA66	UL94V-0
ITEM	NAME OF PART	MATERIAL	NOTES
UL 标准/UL Standard:	B	C	D
额定电压/电压/Rated Voltage(V)/Current(A)	300/10	/	300/10
EC 标准/IEC Standard:			
过压类别/Overvoltage Category/污染等级/Pollution Degree	III/3	III/2	II/2
额定电压/电流/Rated Voltage(V)/Current(A)	400/20	400/20	1000/20
额定脉冲电压(KV)/Rate Impulse Voltage(KV)	4	4	6
线径范围(硬导线)/Wire Range(rigid and flexible)(mm ² /AWG)	0.2~2.5/26~12		
间距/Pitch(mm)/线数范围/Poles	7.62/N=02~16P		
剥线长度/Stripping length(mm)	9-10		
使用温度范围/Operating temperature(°C)	-40~+105		
符合RoHS环保要求/Conform to RoHS	Yes		
MATERIAL:	SURFACE: /		

MATERIAL: /
 MAT NO.: /
 STATUS: /
 APPD: Lj GL 2020.05.26
 CHKD: Mg EK 2020.05.26
 DRAFT: LongHM 2019.01.14

NAME: **DEGSON** 宁波高松电子有限公司
 NINGBO DEGSON ELECTRICAL CO., LTD

DRAWING NO.: 2EDGKD-7.62-C01
 TYPE: CUSTOMER DRAWING
 SCALE: 2:1 SHEET 1/1

REV	ECN	DESCRIPTION	DRAFT	DATE
1				
2				
3				
4				
5				
6				