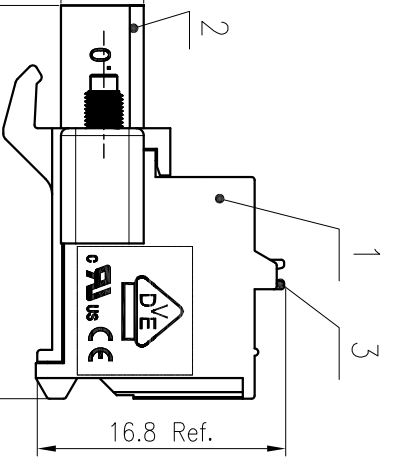
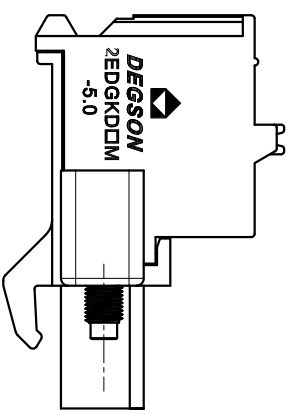
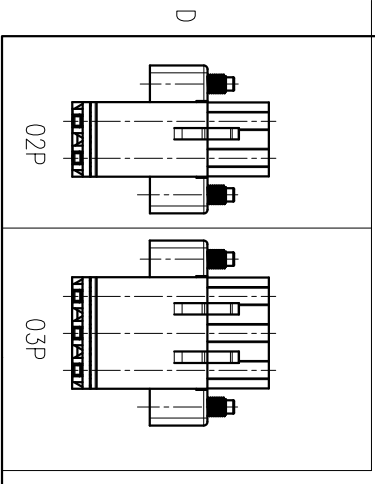
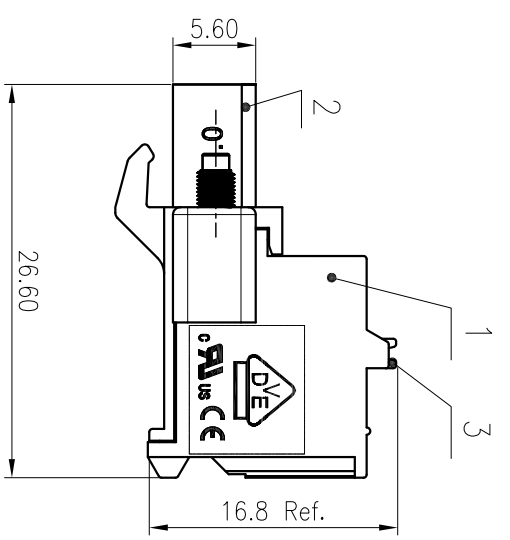
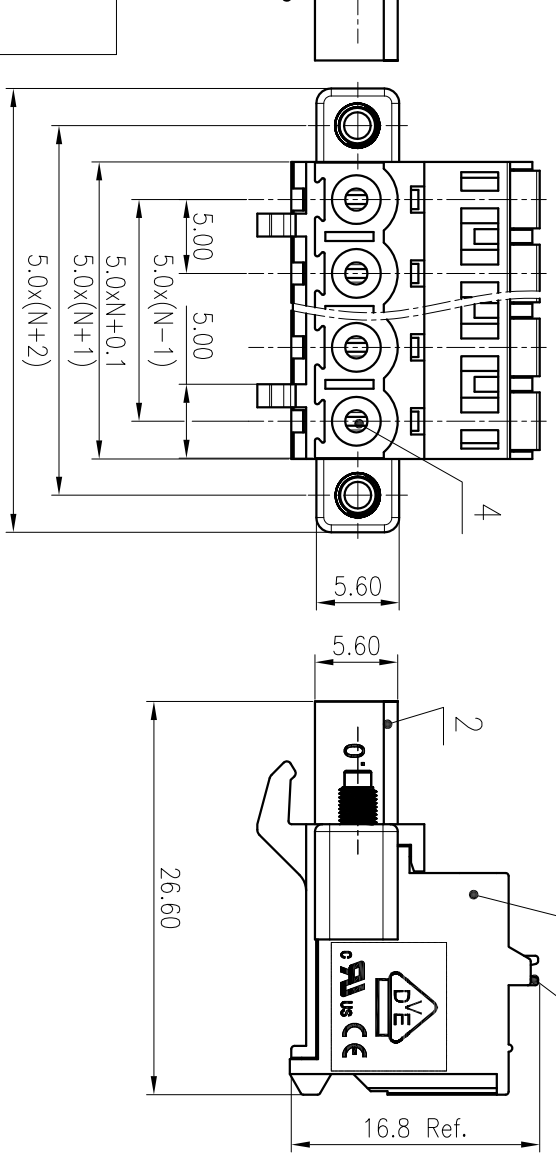
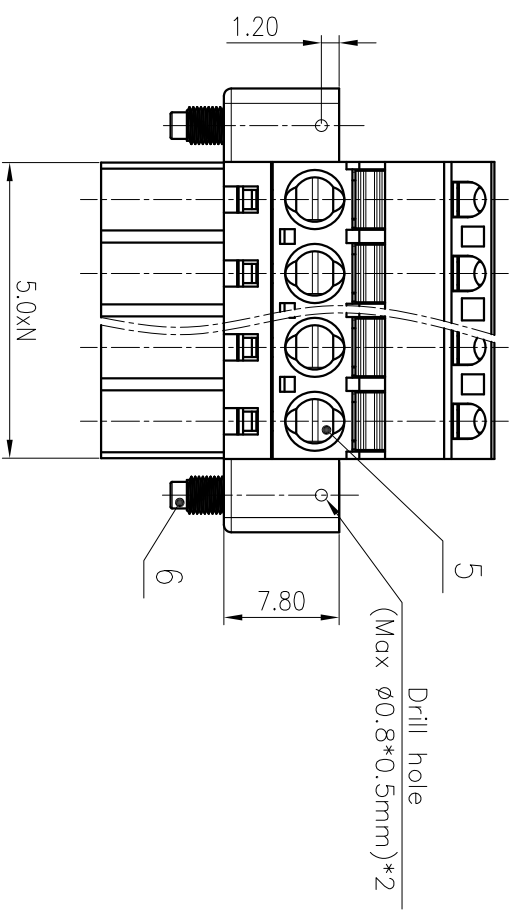


公差/General tolerances(mm)		公差/General tolerances(mm)	
0	>3	>6	>180
~	~	~	~
3	6	10	18
±0.12	±0.18	±0.22	±0.31
±0.26	±0.37	±0.57	±0.80
±0.93	±1.05	±1.15	±1.60
±2.20	±2.50		
0.1/10	>500		
±7			



ITEM	NAME OF PART	MATERIAL	NOTES
6	Screw	Steel	Zn Plated
5	Spring	Stainless steel	
4	Clamp	Copper Alloy	Sn Plated
3	Button	PA66	UL94V-0
2	Cover	PA66	UL94V-0
1	Housing	PA66	UL94V-0

UL 标准 / UL Standard:	B	C	D
额定电压/电涌/Rated Voltage(V)/Current(A)	300/10	/	300/10
IEC 标准 / IEC Standard:			
过压类别 / Overvoltage Category / 污染等级	III/2		
额定电压/电涌/Rated Voltage(V)/Current(A)	320/20		
额定脉冲电压(KV) / Rate Impulse Voltage(KV)	4.0		
螺丝扭矩/Torque Tightening(N·m/Lb·in)	M2.5 0.4/3.54		
挠性范围(导线和导线) / Wire Range(rigid and flexible)(mm <sup>2</sup> /AWG)	0.2~2.5/26~12		
间距/Pitch(mm) / 螺距范围/Poles	5.0/N=02-24P		
剥线长度/Stripping length(mm)	9-10		
使用温度范围 / Operating temperature(°C)	-40~+105		
符合RoHS环保要求 / Conform to RoHS	Yes		

MATERIAL:	/	SURFACE:	/
MAT NO.:	/	NINGBO DEGSON ELECTRICAL CO., LTD	
STATUS:	/	宁波高松电子有限公司	
APPD:	LiGL 2020.06.16	NAME: ZEDGKDBM-5.0-XXP-1Y-00A(H)	
CHKD:	Maou 2020.06.16	DRAWING NO.: ZEDGKDBM-5.0-C01	
DRT:	MEK 2016.04.02	TYPE: CUSTOMER DRAWING	
REV	ECN	DESCRIPTION	DRT DATE
1			
2			
3			
4			
5			
6			
SCALE: 2:1	SHEET 1/1		