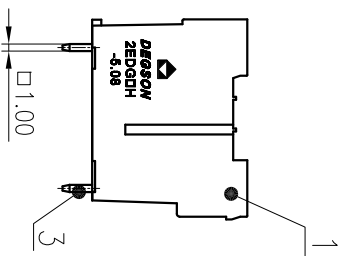
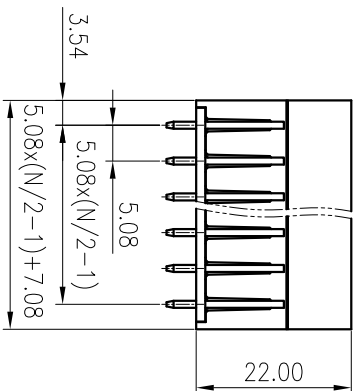
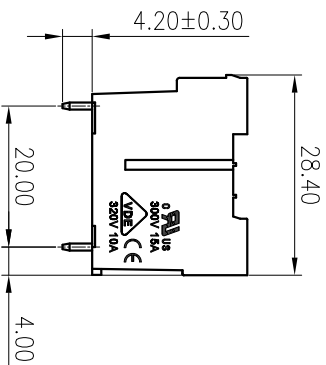
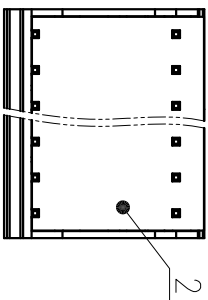
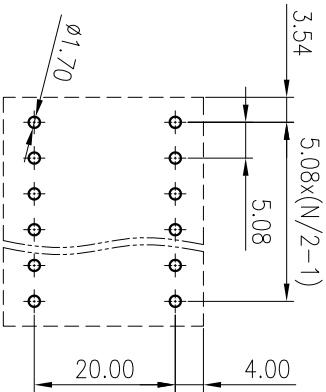


0	>3	>6	>10	>18	>30	>50	>80	>120	>180	>250	>315	>400	>500	0.1/1.0
~	~	~	~	~	~	~	~	~	~	~	~	~	~	±2'
±0.12	±0.18	±0.22	±0.26	±0.31	±0.37	±0.57	±0.80	±0.93	±1.05	±1.15	±1.60	±2.20	±2.50	±2'



文献中心
研发中心
2020.05.21
(仅限内部使用, 对外无效)

PCB LAYOUT



REV	ECN	DESCRIPTION	DRFT	DATE
(T1)		Change the drawing frame	ZhuyP	2020.05.19

MATERIAL:	/			
MAT NO.:	/			
STATUS:	/			
APPD:	LanCHH2020.05.21	NAME:	2EDGVH-5.08-XXP-1Y-00A(H)	
CHKD:	GongYZ2020.05.21	DRAWING NO.:	2EDGVH-5.08-C01	
DRFT:	ZhuyP 2020.05.20	TYPE:	CUSTOMER DRAWING	
SIZE:	A4	SCALE:	1:1	
UNIT:	mm	SHEET:	1/1	

3	Pin	Copper	Sn plated
2	Cover	PA66	UL94V-0
1	Housing	PA66	UL94V-0
ITEM	NAME OF PART	MATERIAL	NOTES
UL 标准/UL Standard:		B C D	
额定电压/电流/Rated Voltage(V)/Current(A)		300/15	300/10
IEC 标准/IEC Standard:		/	/
过压类别/Overvoltage Category/污染等级/Pollution Degree		III/2	
额定电压/电流/Rated Voltage(V)/Current(A)		320/10	
额定脉冲电流(KV)/Rate Impulse Voltage(KV)		4.0	
间距/Pitch(mm)/线数/翅片数/Poles		5.08/04~48P	
剥线长度/Stripping length(mm)		-40~+105	
使用温度范围/Operating temperature(°C)		-40~+105	
符合RoHS环保要求/Conform to RoHS		Yes	
SURFACE:	/		

宁波高松电子有限公司
NINGBO DEGSON ELECTRICAL CO., LTD

2EDGVH-5.08-XXP-1Y-00A(H)

REV	T1
SHEET	1/1