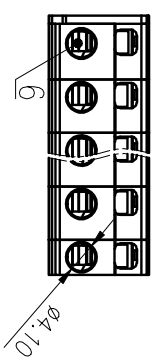
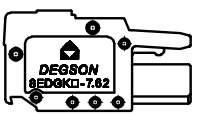
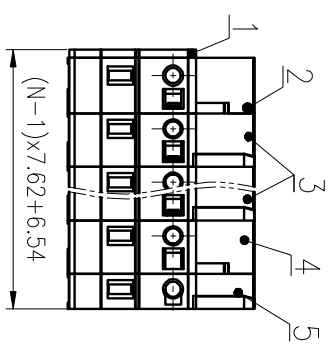
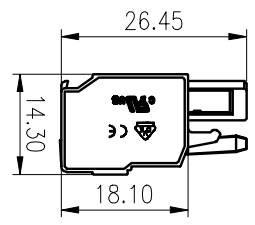
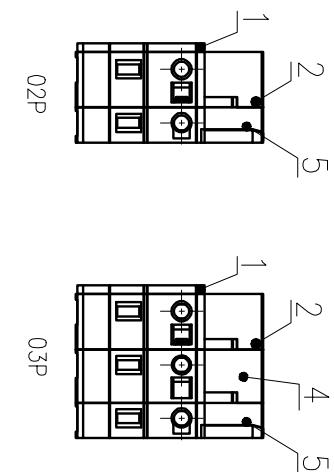


Pitch Range		In mm				Nominal Dimension				Range		In mm	
Over	6	Over	10	Over	30	Over	60	Over	100	Over	150		
TO	10	TO	24	TO	60	TO	100	TO	150	TO	150		
	±0.15	±0.20	±0.30	±0.30	±0.50	±0.70	±1.00	±1.30	±2.0				



ITEM	NAME OF PART	MATERIAL	NOTES
1	Cover	PA66	UL94V-0
2	Side housing 1	PA66	UL94V-0
3	Middle housing 1	PA66	UL94V-0
4	Middle housing 2	PA66	UL94V-0
5	Side housing 2	PA66	UL94V-0
6	Spring	Stainless steel	
7	Clamp	Copper alloy	Sn plated

UL 标准/UL Standard:	B	C	D
额定电压/电涌/Rated Voltage(V)/Current(A)	300	151	300/151
IEC 标准/IEC Standard:	300	151	300/151
过压类别/Overvoltage Category/污染等级/Pollution Degree	III/3	III/2	II/2
额定电压/电涌/Rated Voltage(V)/Current(A)	400/20	/	/
额定冲击电压(kV)/Rate Impulse Voltage(kV)	4	/	/
线芯范围(硬线和软线)/Wire Range(rigid and flexible)(mm <sup>2</sup> /AWG)	0.2~2.5/22~14		
剥线长度/Stripping length(Poles)	7.62/N=02~12P		
使用温度范围/Operating temperature(°C)	9~10		
符合RoHS环保要求/Conform to RoHS	-40~+105		
标准颜色/Standard color number:	Yes		
PANTONE	PANTONE 7534U		

MATERIAL: /  
SURFACE: /

MAT NO.: /  
STATUS: /

APPD: /  
CHKD: /

NAME: **DEGSON® NINGBO DEGSON ELECTRICAL CO., LTD**  
**8EDGK-7.62-XXP-11-01A(H)**

DRAWING NO.: 10001538  
TYPE: CUSTOMER DRAWING  
SCALE: 1:1  
SHEET 1/1

REV	ECN	DESCRIPTION	DRAFT	DATE

REV	ECN	DESCRIPTION	DRAFT	DATE