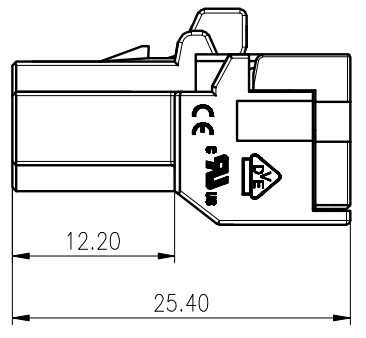
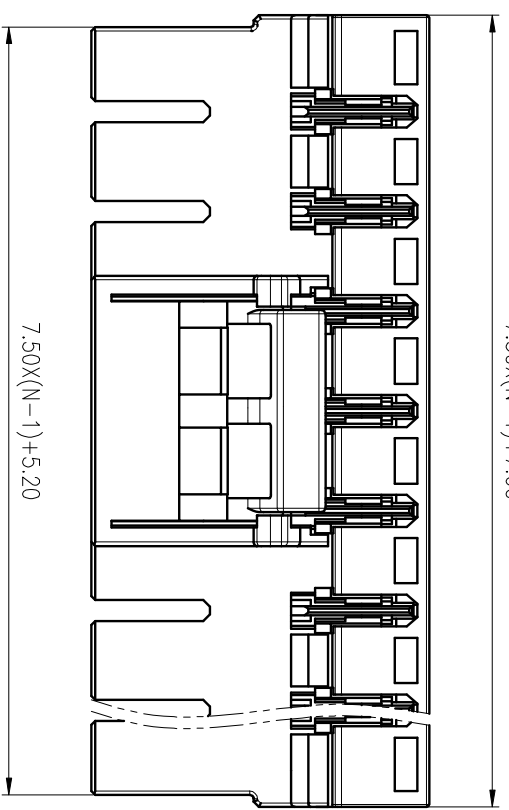
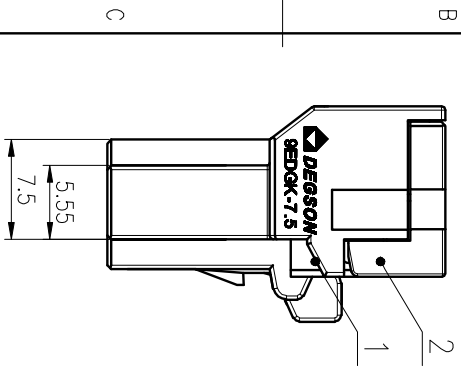
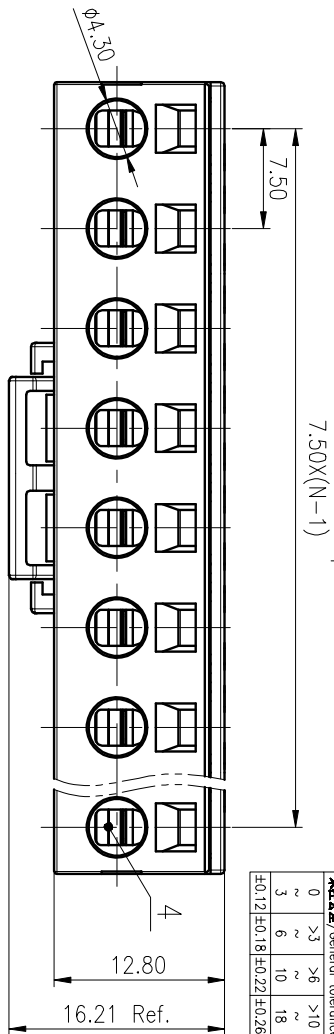


公差等级/General Tolerances(mm)		0.1/10
0	>3	~
3	~6	~
6	~10	~
10	~18	~
18	~30	~
30	~50	~
50	~80	~
80	~120	~
120	~180	~
180	~250	~
250	~315	~
315	~400	~
400	~500	~
500	>500	~
±0.12 ±0.18 ±0.22 ±0.26 ±0.31 ±0.37 ±0.57 ±0.80 ±0.93 ±1.05 ±1.15 ±1.60 ±2.20 ±2.50		±2



UL 标准/UL Standard:	B	C	D
额定电压/电压/Rated Voltage(V)/Current(A)	300/16	300/16	600/5
EC 标准/EC Standard:	III/3	III/2	II/2
过压类别/Overvoltage Category/耐受等级/Polition Degree	III/3	III/2	II/2
额定电压/电压/Rated Voltage(V)/Current(A)	500/20	630/20	1000/20
额定脉冲电压(KV)/Rate Impulse Voltage(KV)	6.0	6.0	6.0
额定转矩/Torque Tightening(lb-in/ Nm/Lb-in)	0.2~2.5	28~12	
弹性范围 (导线和线材)/Wire Range(rigid and flexible)(mm <sup>2</sup> /AWG)			
间距/Pitch(mm)/线数范围/Plates	7.5/N=02~12P		
剥线长度/Stripping length(mm)	8		
使用温度范围/Operating temperature(°C)	-40~+105		
符合RoHS环保要求/Conform to RoHS	Yes		
零件颜色编号/Standard color number:			
PANTONE /RAL	/		

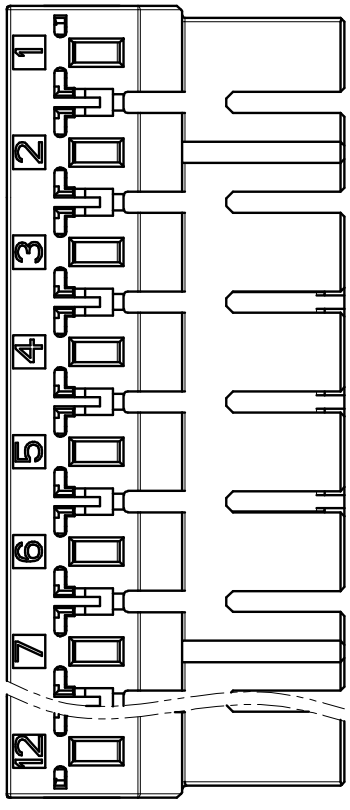
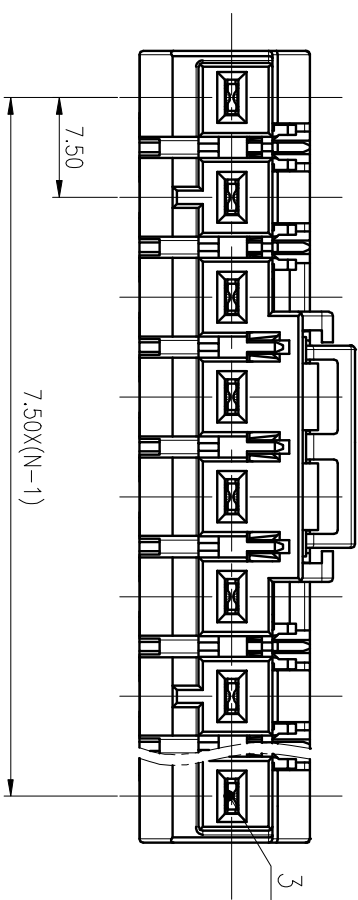
MATERIAL:	SURFACE:
4 Spring	Stainless Steel
3 Clamp	Copper alloy
2 Cover	PA66-GF
1 Housing	PA66-GF
ITEM	NAME OF PART
	MATERIAL
	NOTES

MAT NO.:	/	DEGSON® NINGBO DEGSON ELECTRICAL CO., LTD
STATUS:	/	
APPD: LI GL	2020.05.30	NAME: 9EDGK-7.5-XXP-1Y-1000A(H)
CHKD:	/	DRAWING NO.: 9EDGK-7.5-C11
DRFT: MoEK	2020.03.31	TYPE: CUSTOMER DRAWING
SIZE: A4	mm	SCALE: 2:1
	(inch)	

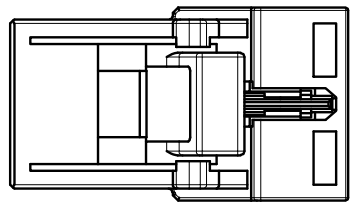
REV	ECN	DESCRIPTION	DRFT	DATE
1				
2				

REV	ECN	DESCRIPTION	DRFT	DATE
3				
4				

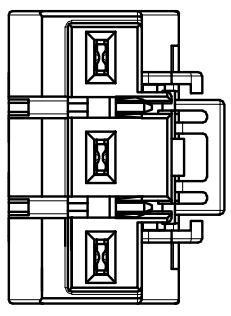
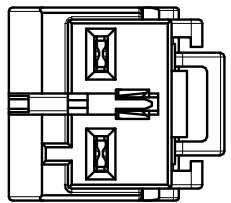
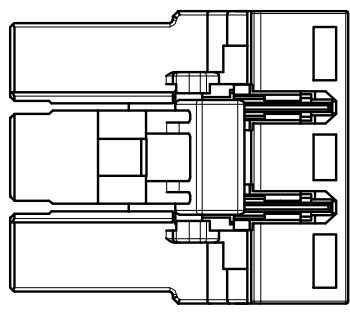
REV	ECN	DESCRIPTION	DRFT	DATE
5				
6				



2P



3P



MATERIAL: / SURFACE: /

MAT NO.: /

STATUS: /

APPD: LI GL 2020.05.30

CHKD: /

DFT: MoEK 2020.03.31

NINGBO DEGSON ELECTRICAL CO., LTD

NAME: 宁波德松电子有限公司

DRAWING NO.: 9EDGK-7.5-C11

TYPE: CUSTOMER DRAWING

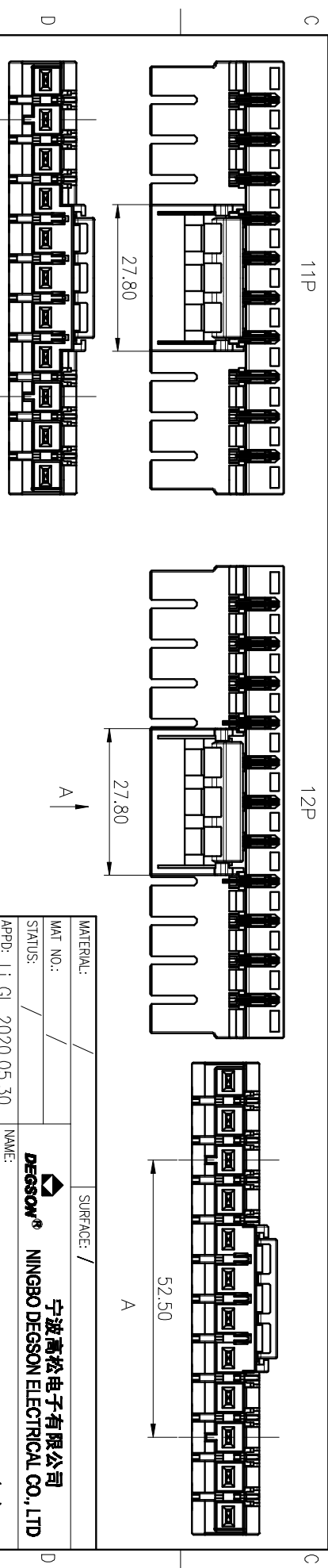
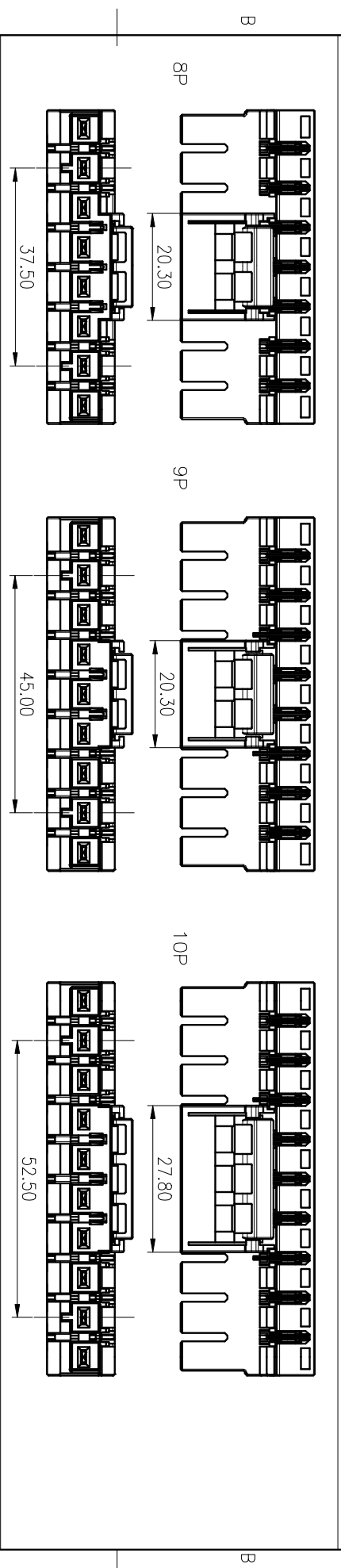
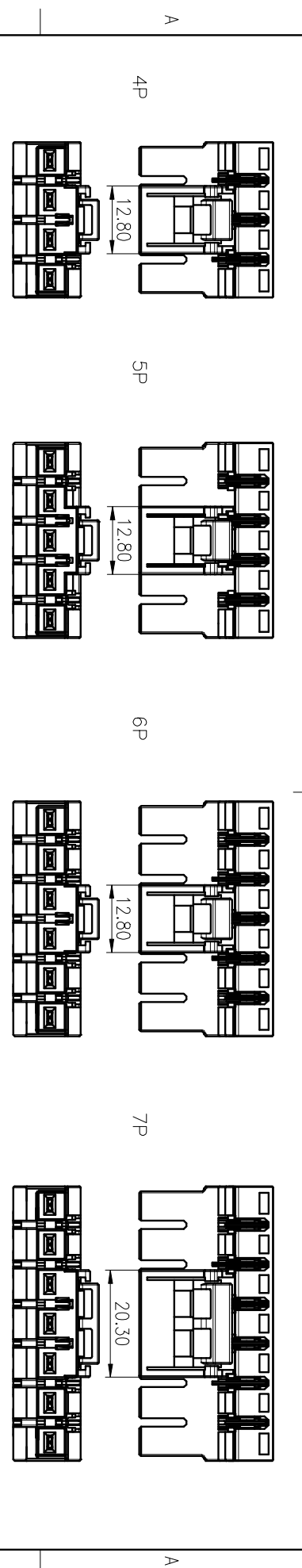
9EDGK-7.5-XXP-1Y-1000A(H)

REV: DO-6

SCALE: 2:1 SHEET 2/3

REV	ECN	DESCRIPTION	DFT	DATE

1 2 3 4 5 6



REV	ECN	DESCRIPTION	DRAFT	DATE

MATERIAL:	SURFACE: /
MAT NO.:	/
STATUS:	/
APPD: LI GL 2020.05.30	NAME: <b>DEGSON® NINGBO DEGSON ELECTRICAL CO., LTD</b>
CHKD: /	9EDGK-7.5-XXP-1Y-1000A(H)
DRAFT: MoEK 2020.03.31	DRAWING NO.: 9EDGK-7.5-C11
SIZE: A4	TYPE: CUSTOMER DRAWING
SCALE: 1:1	REV: D0-6
	SHEET 3/3