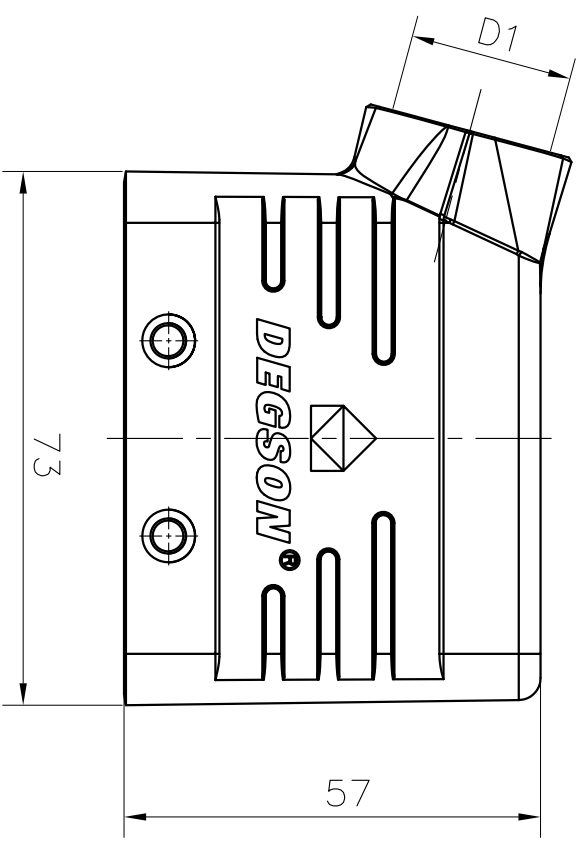
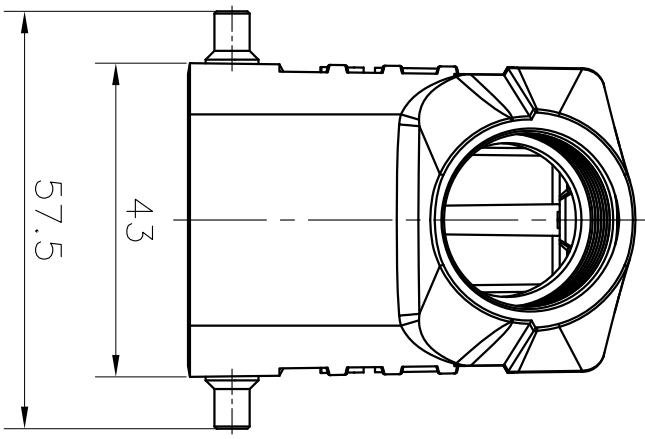
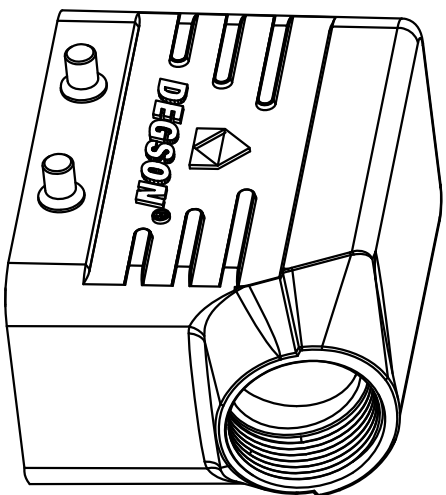


TYPE	Thread(D1)	Selection
D10B-SF-4g-M20	M20	
D10B-SF-4g-M25	M25	
D10B-SF-4g-PG16	PG16	

REVISION RECORD				
REV	ECN	DESCRIPTION	DRFT	DATE



**Hoods Feature**

1. Material: aluminium die-cast
2. Surface: Powder-coated
3. Color: grey (RAL 7037)
4. Limiting temperatures: -40°C ~ +125°C
5. Flammability acc to UL94: V0
6. Degree of protection acc. to EN60529 for coupled connector: IP65
7. Rohs compliance

DETACHED LISTS			
PART NO.:	/	NAME:	<b>DEGSON</b> 宁波高松电子有限公司 NINGBO DEGSON ELECTRICAL CO., LTD
APPD:		TITLE:	D10B-SF-4g-M/PG
CHKD:		DRAWING NO.:	
DRFT:	Mr. yding 2017/06/28	TITLE:	CUSTOMER DRAWING
THIRD ANGLE PROJECTION		DO NOT SCALE DRAWING	SCALE
		SCALE	1:1