

REVISION RECORD				
REV	ECN	DESCRIPTION	DRFT	DATE

Technical characteristics:

Specifications  
 DIN EN 60 664-1  
 DIN EN 61 984

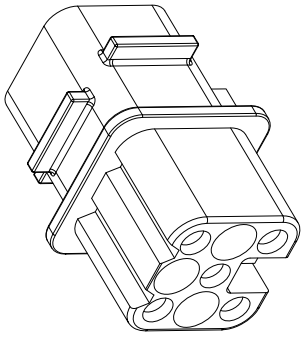
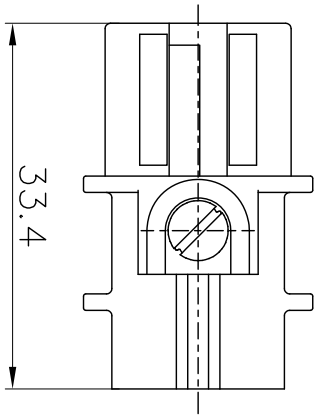
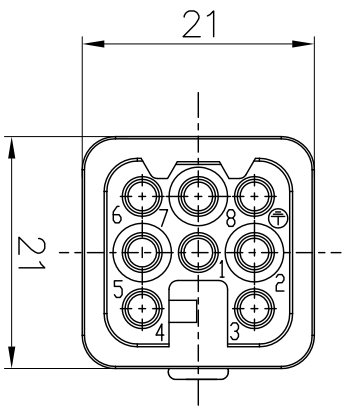
Inserts

- 01. Number of contacts : 8
- 02. Rated Current : 10A
- 03. Rated Voltage : ~50V / -120V
- 04. Pollution degree : 3
- 05. Rated impulse voltage : 0. 8KV
- 06. Insulation resistance :  $\geq 10^9\Omega$
- 07. Material: Polycarbonate
- 08. Rated voltage acc. to UL/CSA : 50V
- 09. Rated voltage (direct voltage) : 120V
- 10. Limiting temperatures : -40°C ~ +125°C
- 11. Flammability acc. to UL94: V0
- 12. Mechanical working life (mating cycles) :  $\geq 500$

Contacts

- 01. Material: Copper alloy
- 02. Surface: hard-silver plated
- 03. Contact resistance :  $\leq 3m\Omega$
- 04. Terminal : Crimp terminal
- 05. Wire gauge : 0. 14-2. 5mm<sup>2</sup> (AWG 26-14)
- 06. Stripping length : 6. 0-8. 0mm
- 07. Rohs Compliance

Note: Crimp contact pins should order separately



DETACHED LISTS			
PART NO.:	/	NINGBO DEGSON ELECTRICAL CO., LTD	
APPD:		DD-008-FC	
CHKD:		NINGBO DEGSON ELECTRICAL CO., LTD	
DRFT:	Mr. Yang 2016.07.25	TITLE: CUSTOMER DRAWING	REV
		DRAWING NO.: DD-008-FC-E01	DO-1
		THIRD ANGLE PROJECTION	SHEET
		1MM (INCH)	1/1
		DO NOT SCALE DRAWING	SCALE

A 8 7 6 5 4 3 2 1