


REVISION RECORD				
REV	ECN	DESCRIPTION	DRFT	DATE

Technical characteristics:

Specifications

- DIN EN 60 664-1
- DIN EN 61 984
- Approvals: 

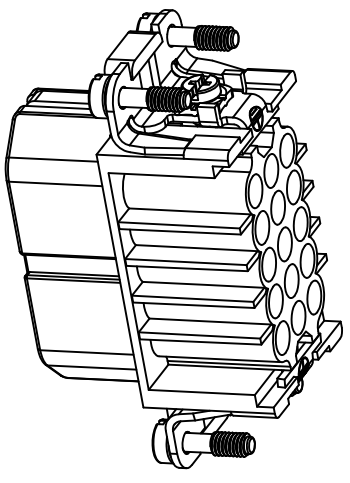
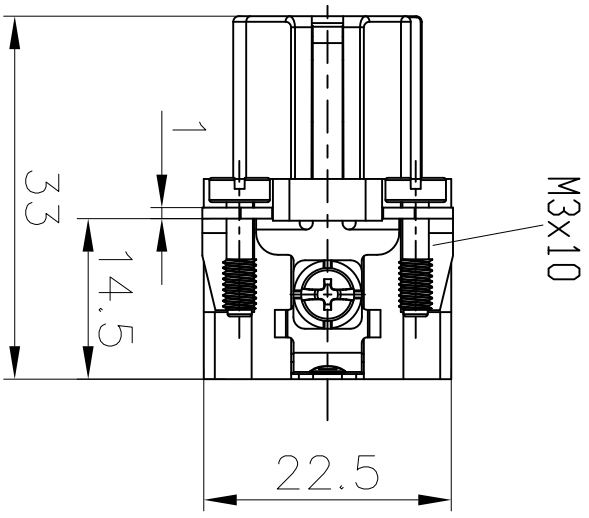
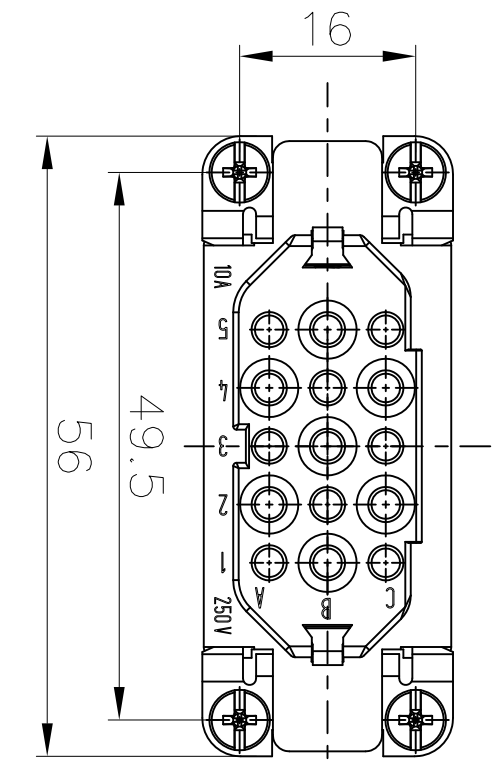
Inserts


- 01. Number of contacts :15+PE
- 02. Rated Current :10A
- 03. Rated Voltage :250V
- 04. Pollution degree :3
- 05. Rated impulse voltage :4kv¹⁰
- 06. Insulation resistance :≥10¹⁰Ω
- 07. Material: Polycarbonate
- 08. Colour:RAL 7032 (light grey)
- 09. Rated voltage acc. to UL/CSA:600V
- 10. Limiting temperatures :-40℃~+125℃
- 11. Flammability acc. to UL94:V0
- 12. Mechanical working life (mating cycles) :≥500

Contacts

- 01. Material:Copper alloy
- 02. Surface:hard-silver plated
- 03. Contact resistance :≤3mΩ
- 04. Terminal :Crimp terminal
- 05. Wire gauge :0.14-2.5mm² (AWG 26-14)
- 06. Stripping length :6-8mm
- 07. Rohs Compliance

Note:Crimp contact pins should order separately



DETACHED LISTS			
PART NO.:	/	NINGBO DEGSON ELECTRICAL CO., LTD	
APPD:		宁波高松电子有限公司	
CHKD:		DD-015-FC	
DRFT:	Mr. Yang 2016.07.25	TITLE:	CUSTOMER DRAWING
THIRD ANGLE PROJECTION		DRAWING NO.:	DD-015-FC-E01
		DO NOT SCALE DRAWING	SCALE
			1.5:1

A 8 7 6 5 4 3 2 1