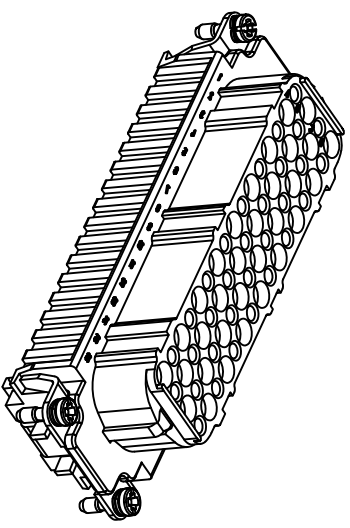
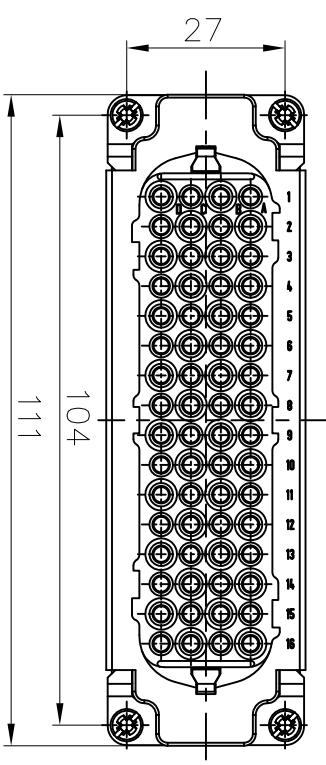
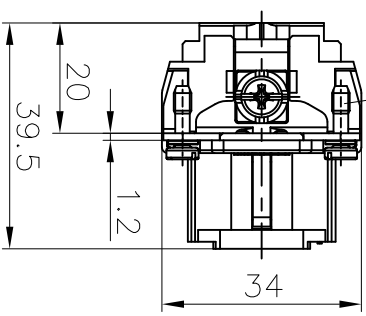


REVISION RECORD			
REV	ECN	DESCRIPTION	DRFT DATE

Technical characteristics:
 Specifications
 DIN EN 60 664-1
 DIN EN 61 984

M3x10



- Inserts
- 01. Number of contacts : 64+PE
 - 02. Rated Current : 10A
 - 03. Rated Voltage : 250V
 - 04. Pollution degree : 3
 - 05. Rated impulse voltage : 4kV¹⁰
 - 06. Insulation resistance : ≥10 Ω
 - 07. Material: Polycarbonate
 - 08. Rated voltage acc. to UL/CSA: 600V
 - 09. Limiting temperatures : -40°C~+125°C
 - 10. Flammability acc. to UL94: V0
 - 11. Mechanical working Life (mating cycles) : ≥500

Contacts

- 01. Material: Copper alloy
- 02. Surface: hard-silver plated
- 03. Contact resistance : ≤3mΩ
- 04. Terminal : Crimp terminal
- 05. Wire gauge : 0.14-2.5mm² (AWG 26-14)
- 06. Stripping length : 8.0mm
- 07. Rohs Compliance

Note: Crimp contact pins should order separately

DETACHED LISTS			
PART NO.:	/	NINGBO DEGSON ELECTRICAL CO., LTD	
APPD:		DD-064-FC	
CHKD:		DD-064-FC-E01	
DRFT:	Mr. Yang 2016.07.25	TITLE: CUSTOMER DRAWING	REV
		DRAWING NO.:	DD-064-FC-E01
		THIRD ANGLE PROJECTION	SHEET
		DO NOT SCALE DRAWING	1/1
		SCALE	

A 8 7 6 5 4 3 2 1