

REVISION RECORD

REV	ECN	DESCRIPTION	DRFT	DATE

Technical characteristics:

Specifications
 DIN EN 60 664-1
 DIN EN 61 984

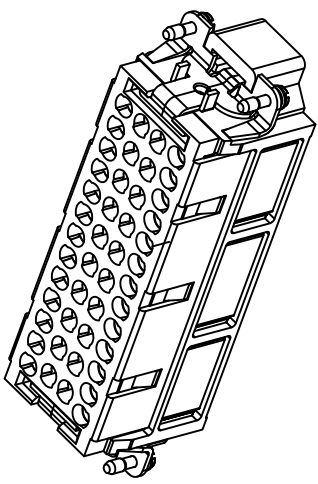
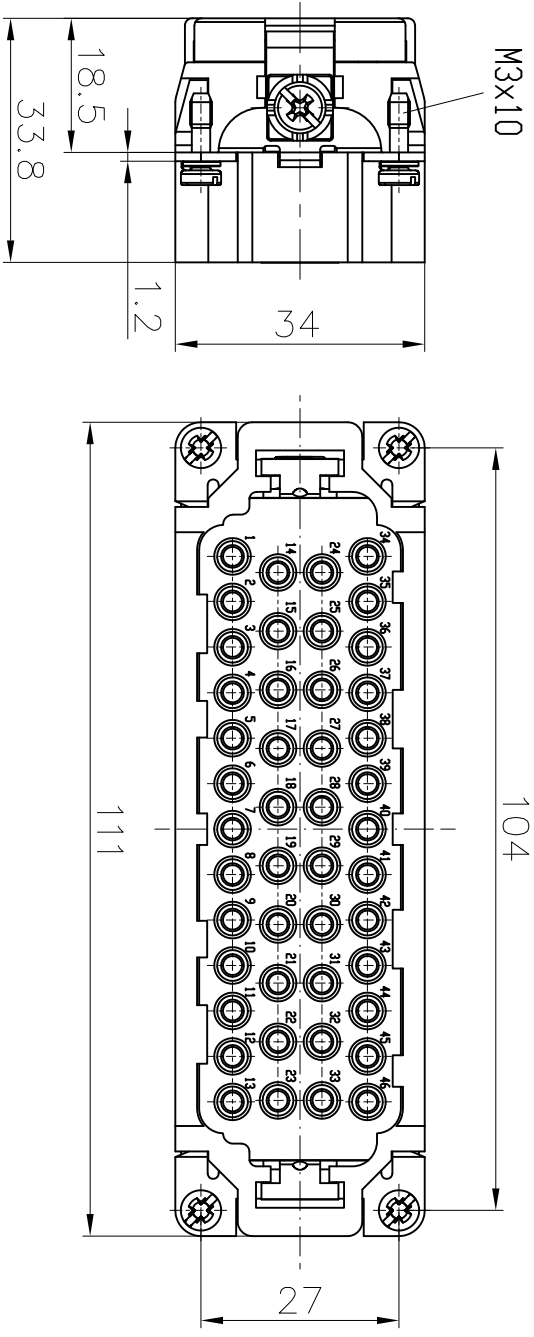
Inserts

- 01. Number of contacts : 46+PE
- 02. Rated Current : 16A
- 03. Rated Voltage : 500V
- 04. Pollution degree : 3
- 05. Rated impulse voltage : 6kV¹⁰
- 06. Insulation resistance : $\geq 10^9\Omega$
- 07. Material: Polycarbonate
- 08. Rated voltage acc. to UL/CSA: 600V
- 09. Limiting temperatures : -40°C ~ +125°C
- 10. Flammability acc. to UL94: V0
- 11. Mechanical working life (mating cycles) : ≥ 500

Contacts

- 01. Material: Copper alloy
- 02. Surface: hard-silver plated
- 03. Contact resistance : $\leq 1m\Omega$
- 04. Terminal : Crimp terminal
- 05. Wire gauge : 0.14-4.0mm² (AWG 26-12)
- 06. Stripping length : 7.5mm
- 07. Rohs Compliance

Note: Crimp contact pins should order separately



DETACHED LISTS	
PART NO.:	/
APPD.:	
CHKD.:	
DRFT.:	Mr. Yang 2016.09.25
THIRD ANGLE PROJECTION	
NAME:	DEE-046-MC
TITLE:	CUSTOMER DRAWING
DRAWING NO.:	DEE-046-MC-E01
SCALE:	DO NOT SCALE DRAWING
REV	DO-1
SHEET	1/1
SCALE	1:1

DEGSON 宁波高松电子有限公司
 NINGBO DEGSON ELECTRICAL CO., LTD

REVISION RECORD				
REV	ECN	DESCRIPTION	DRFT	DATE

Technical characteristics:
 Specifications
 DIN EN 60 664-1
 DIN EN 61 984

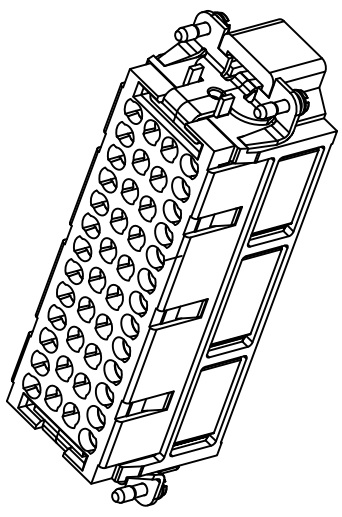
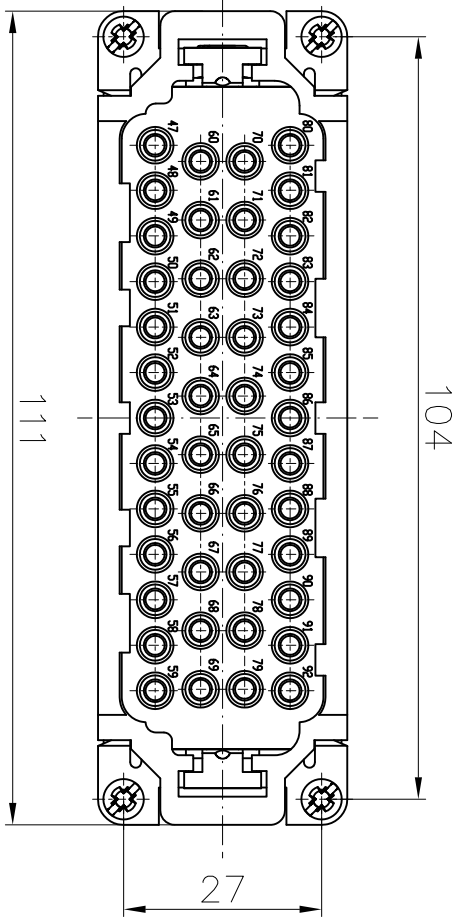
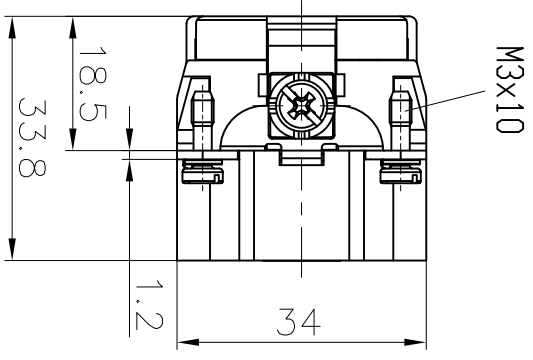
Inserts

01. Number of contacts : 46 (47-92) +PE
02. Rated Current : 16A
03. Rated Voltage : 500V
04. Pollution degree : 3
05. Rated impulse voltage : 6kV¹⁰
06. Insulation resistance : $\geq 10^9\Omega$
07. Material: Polycarbonate
08. Rated voltage acc. to UL/CSA: 600V
09. Limiting temperatures : -40°C ~ +125°C
10. Flammability acc. to UL94: V0
11. Mechanical working life (mating cycles) : ≥ 500

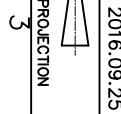
Contacts

01. Material: Copper alloy
02. Surface: hard-silver plated
03. Contact resistance : $\leq 1m\Omega$
04. Terminal : Crimp terminal
05. Wire gauge : 0.14-4.0mm² (AWG 26-12)
06. Stripping length : 7.5mm
07. Rohs Compliance

Note: Crimp contact pins should order separately



A 8
B 7
C 6
D 5
E 4
F 3
G 2
H 1



THIRD ANGLE PROJECTION

DETACHED LISTS	
PART NO.:	/
APPR:	
CHKD:	
DRFT:	Mr. Yang 2016.09.25
NAME:	DEE-046-MC(47-92)
 NINGBO DEGSON ELECTRICAL CO., LTD 宁波高松电子有限公司	
TITLE:	CUSTOMER DRAWING
DRAWING NO.:	DEE-046-MC-E02
SCALE:	DO NOT SCALE DRAWING
REV	DO-1
SHEET	1/1
SCALE	1:1

A 1
B 2
C 3
D 4
E 5
F 6
G 7
H 8