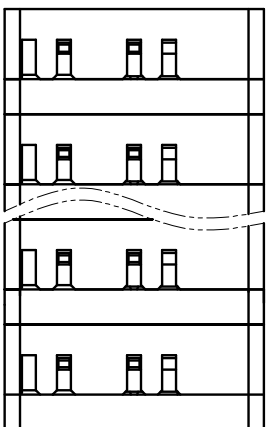
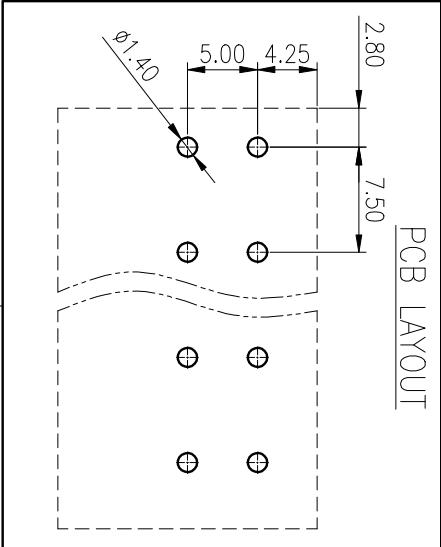
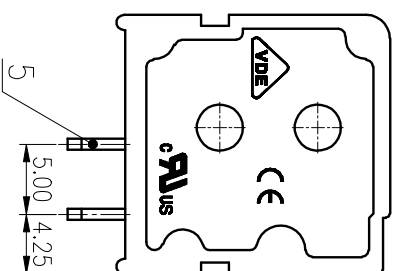
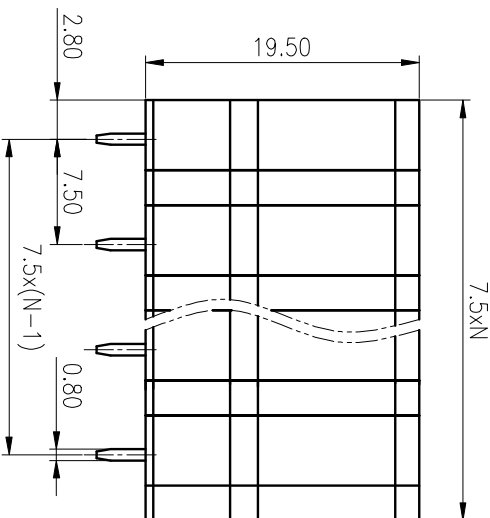
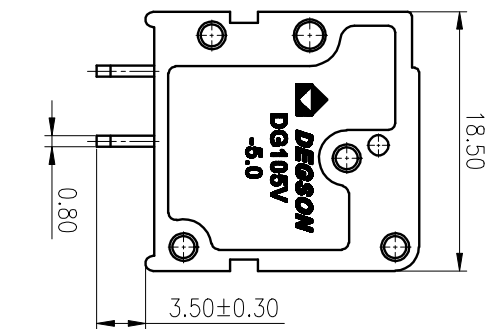
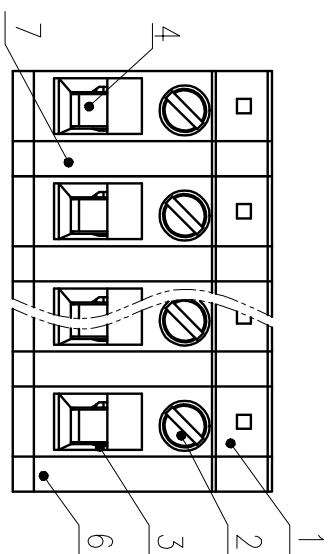


公差等级/General Tolerances(mm)		0.1/1/10	
0	>3	>10	>180
3	~6	~18	~250
6	10	30	~400
±0.12	±0.18	±0.26	±0.31
±0.37	±0.57	±0.80	±1.05
±1.15	±1.60	±2.20	±2.50
±Z	±Z	±Z	±Z



REV	ECN	DESCRIPTION	DRAFT	DATE

MATERIAL:	SURFACE:		
MAT NO.:	/		
STATUS:	/		
APPD: Lon	CHKD: Yu	DATE: 2020.05.14	NAME: DG105V-7.5-XXP-1Y-00A(H)
DRAFT: Li Zh	DATE: 2020.05.14	DRAWING NO.: 10002086	TYPE: CUSTOMER DRAWING
SIZE: A4	SCALE: 2:1	REV: T0	SHEET: 1/1

UL 标准 /UL Standard:	B	C	D
额定电压/电压 /Rated Voltage(V)/Current(A)	300/20	/	300/10
IEC 标准 /IEC Standard:	450/24		
额定电压/电压 /Rated Voltage(V)/Current(A)	AC2500		
工频耐压 /Withstanding voltage(V/1Min)	M2.5, 0.4/3.54		
螺栓扭矩 /Torque Tightening(N·m/Lb·in)	0.5~2.5/30~12		
线径范围(硬线和软线) /Wire Range(rigid and flexible)(mm²/AWG)	7.5/N=02~16P		
剥线长度 /Stripping length(mm)	12~13		
使用温度范围 /Operating temperature(°C)	-40~+105		
符合RoHS环保要求 /Conform to RoHS	Yes		

ITEM	NAME OF PART	MATERIAL	NOTES
1	Housing	PA66	UL94V-0
2	Screw	Steel	M2.5/Zn Plated
3	Cage	Steel	M2.5/Zn Plated
4	Block	Steel	Zn Plated
5	Pin header	Copper	Sn Plated
6	Cover	PA66	UL94V-0
7	Calpboard	PA66	UL94V-0

DEGSON® NINGBO DEGSON ELECTRICAL CO., LTD  
宁波高松电子有限公司