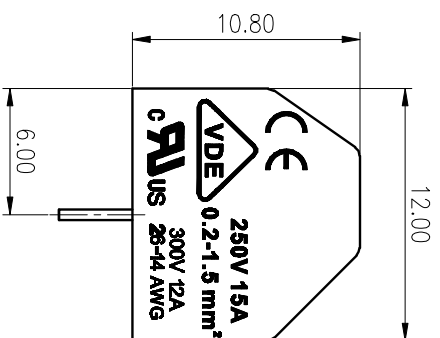
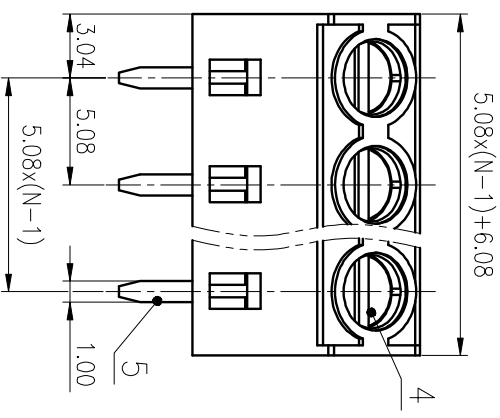
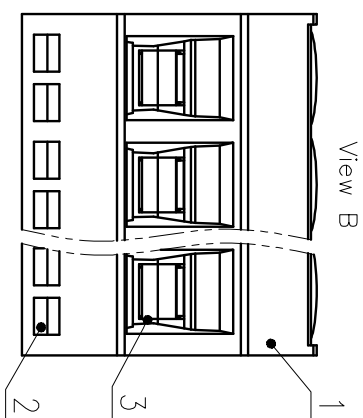


公差等级/General	Tolerances(mm)										公差等级/General			
0	>3	>6	>10	>18	>30	>50	>80	>120	>180	>280	>315	>400	0.1/10	
3	~	~	~	~	~	~	~	~	~	~	~	~	±Z	
6	±0.12	±0.18	±0.22	±0.26	±0.31	±0.37	±0.57	±0.80	±0.93	±1.05	±1.15	±1.60	±2.20	±2.50



ITEM	NAME OF PART	MATERIAL	NOTES
5	Pin header	Copper alloy	Sn Plated
4	Screw	Steel	M2.5/Zn Plated
3	Cage	Copper alloy	M2.5/Ni Plated
2	Cover	PA66	UL94V-0
1	Housing	PA66	UL94V-0

UL 标准/UL Standard:	B	C	D
额定电压/电压/Rated Voltage(V)/Current(A)	300/12	/	300/70

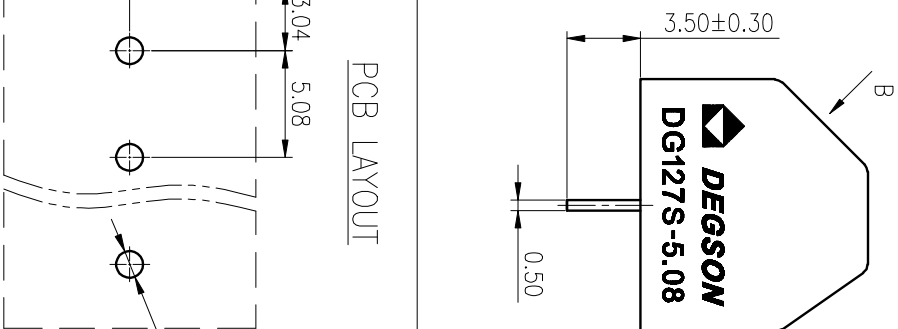
IEC 标准/IEC Standard:	III/2
过压类别/Overvoltage Category/污秽等级/Pollution Degree	III/2
额定电压/电压/Rated Voltage(V)/Current(A)	250/15
工频耐压/Withstanding Voltage(V/Min)	AC2000
拧紧扭矩/Torque Tightening(N·m/Lb·in)	M2.5: 0.4/3.54
线径范围(硬线和软线)/Wire Range(rigid and flexible)(mm²/AWG)	0.2~1.5/26~14
间距/Pitch(mm)/线数范围/Poles	5.08/N=02~16P
引线长度/Stripping length(mm)	5~6
使用温度范围/Operating temperature(°C)	-40~+105
符合RoHS标准/Conform to RoHS	Yes

MATERIAL: / SURFACE: /

MAT NO.: /  
 STATUS: /  
 APPD: LanCH 2020.03.17  
 CHKD: YUJZ 2020.03.17  
 DRT: BGYH 2020.03.17

NAME: **DEGSON® NINGBO DEGSON ELECTRICAL CO., LTD**  
 DRAWING NO.: 10001534  
 TYPE: CUSTOMER DRAWING

SCALE: 3:1  
 REV T0  
 SHEET 1/1



REV	ECN	DESCRIPTION	DRT	DATE
1				
2				
3				
4				