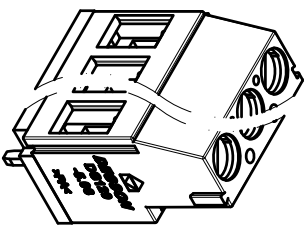
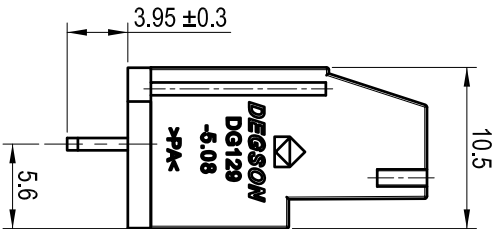
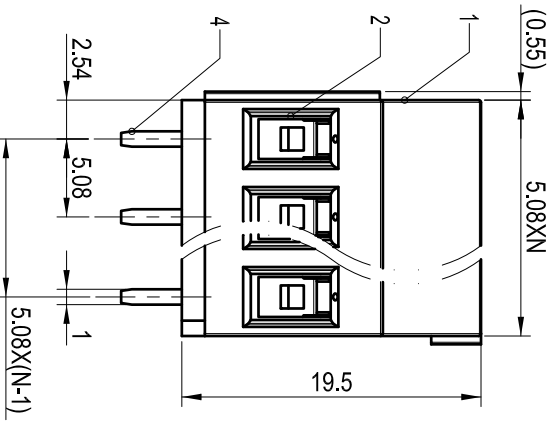
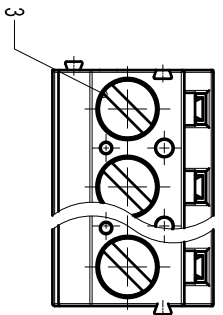
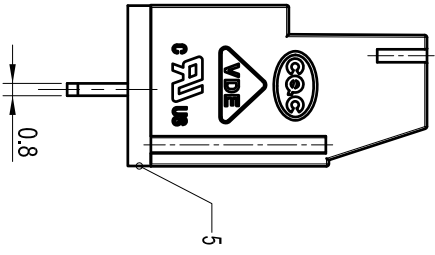
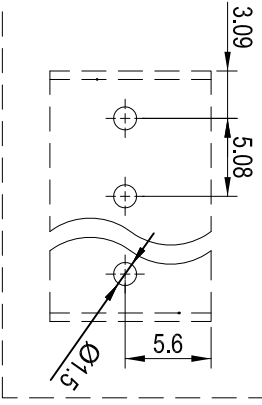


PCB LAYOUT



Please refer to the 3D model for those unmarked dimensions

公差/General tolerances(mm)

0	~3	~6	~10	~18	~30	~50	~80	~120	~180	~250	~315	~400	0.1/10
3	~6	~10	~18	~30	~50	~80	~120	~180	~250	~315	~400	~500	1/2
UL Standard/UL Standard:													
UL Standard/UL Standard:												±2	
UL Standard/UL Standard:												±2	

额定电压/Rated Voltage (V)	Current (A)	300/20	/	300/10
IEC 标准/IEC Standard:				
过压类别/Overvoltage Category/污染等级/Pollution Degree	III/3	III/2	II/2	
额定电压/电涌/Rated Voltage (V)/Current (A)	/	250/20	/	
工频耐压/Withstanding voltage (V/1min)	/	AC2000	/	
螺丝扭矩/Torque Tightening (N·m/Lb.in)	M3: 0.5/4.5			
线径范围(硬线和软线)/Wire Range (rigid and flexible) (AWG/mm²)	26-12 / 0.2-2.5			
间距/Pitch (mm)/线数范围/Poles	5.08/N=02-24P			
剥线长度/Stripping length (mm)	8			
使用温度范围/Operating temperature (°C)	-40--+105			
符合RoHS环保要求/Conform to RoHS	Yes			

00	/	13 首版发表	草稿	2022.05.07
REV	FCN	DESCRIPTION	DRAFT	DATE

APPD: 兰春华	2022.05.07
CHKD: 陈招	2022.05.07
DRFT: 岑凯	2022.05.07
DRFT: 岑凯	2022.05.07
APPD: 兰春华	2022.05.07

MATERIAL:	SURFACE/COLOR:
MAT NO./REV:	MAT STATUS: WORK
NAME	
DRAWING NO.	DRAWING STATUS
2000892922	WORK
TYPE	SCALE
CUSTOMER DRAWING	2:1
	SHEET
	1/1

5	Cover	PA66	UL94V-0
4	Pin Header	Copper Alloy	Sn Plated
3	Screw	Steel	M3/Zn Plated
2	Cage	Copper Alloy	M3/Ni Plated
1	Housing	PA66	UL94V-0
ITEM	NAME OF PART	MATERIAL	NOTES

DG129-5-08-XXP-1Y-100A (H)