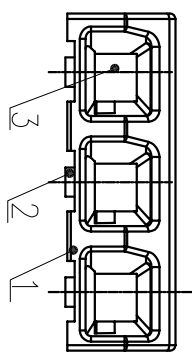
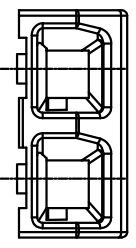
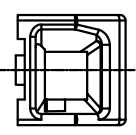
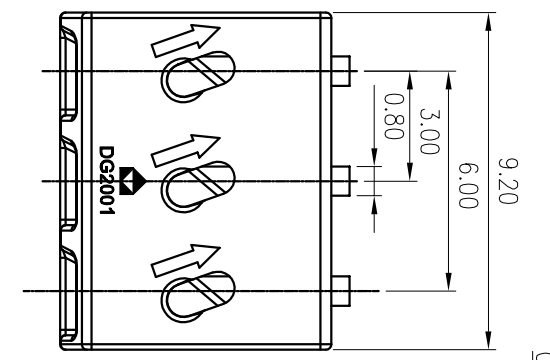
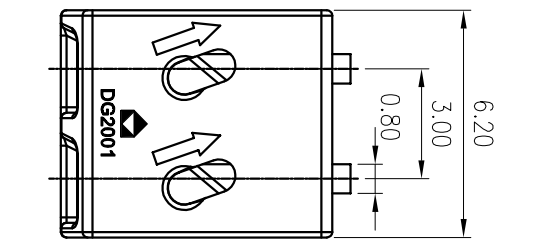
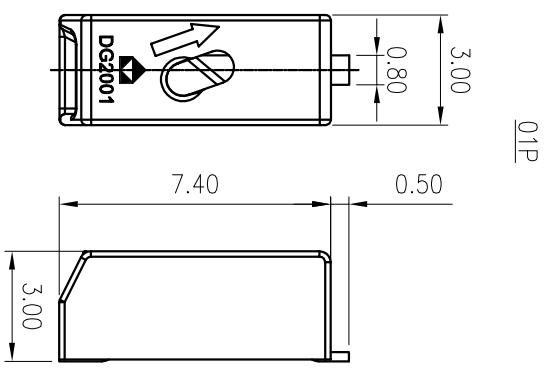
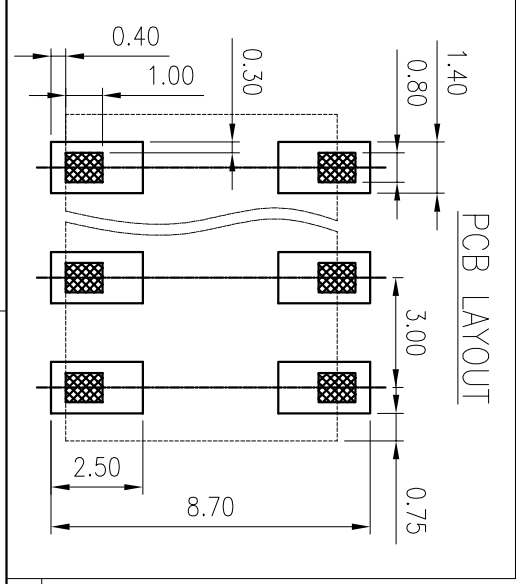


公差/General Tolerances(mm)		0	>3	>6	>10	>18	>30	>50	>80	>120	>180	>250	>315	>400	>500	0.1/10
~	~	3	6	10	18	30	50	80	120	180	250	315	400	500	~	±2
±0.12 ±0.18 ±0.22 ±0.26 ±0.31 ±0.37 ±0.57 ±0.80 ±0.93 ±1.05 ±1.15 ±1.60 ±2.20 ±2.50																



3	Spring	Stainless steel	/
2	Pin header	Copper alloy	Sn plated
1	Housing	LCP	UL94V-0
ITEM	NAME OF PART	MATERIAL	NOTES
UL 标准 /UL Standard:			
额定电压/电流 /Rated Voltage(V)/Current(A)		600V/3A(01P) 300V/3A(02P/03P)	
IEC 标准 /IEC Standard:			
过压类别/Overvoltage Category/污染等级 /Pollution Degree		III/3	III/2
额定电压/电流 /Rated Voltage(V)/Current(A)		32/3	160/3
额定脉冲电压 /Rate Impulse Voltage(KV)		2.5	2.5
额定脉冲电压 /Rate Impulse Voltage(KV)		2.5	2.5
线径范围(硬线和软线) /Wire Range(rigid and flexible)(mm ² /AWG)		0.14~0.34/26~22	
间距 /Pitch(mm) /线数范围 /Poles		3.0/N=01~03P	
剥线长度 /Stripping length(mm)		5.5~6.5	
使用温度范围 /Operating temperature(°C)		-40~+130	
符合RoHS环保要求 /Conform to RoHS		Yes	



REV	ECN	DESCRIPTION	DRAFT	DATE

MATERIAL:	/
MAT NO.:	/
STATUS:	/
APPD:	ZhuWM 2021.03.22
CHKD:	CoolB 2021.03.22
DFT:	MJN 2017.05.10

NAME:	DG2001-3.0-XXP-1Y-01A(H)
DRAWING NO.:	DG2001-3.0-C01
TYPE:	CUSTOMER DRAWING
SCALE:	2:1
SHEET	1/1