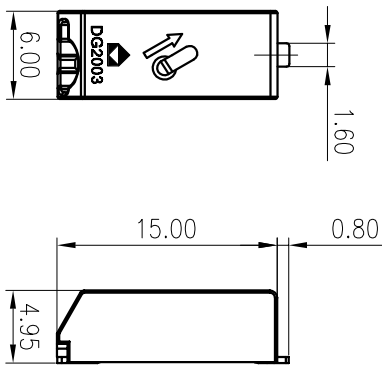
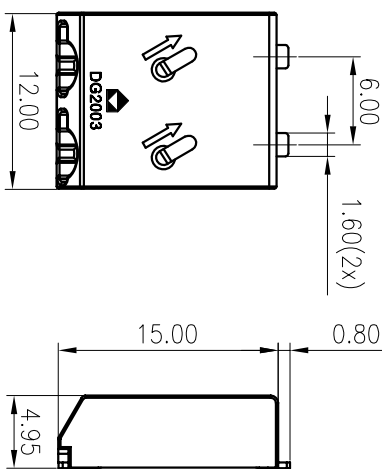


公差表/General Tolerances(mm)		0	>3	>6	>10	>18	>30	>50	>80	>120	>180	>250	>315	>400	>500	0.1/10
~	~	~	~	~	~	~	~	~	~	~	~	~	~	~	~	±Z
±0.12	±0.18	±0.22	±0.26	±0.31	±0.37	±0.57	±0.80	±0.93	±1.05	±1.15	±1.60	±2.20	±2.50	±2.50	±Z	±Z

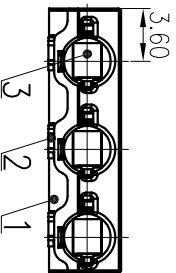
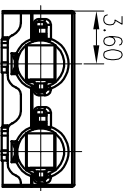
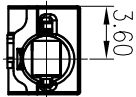
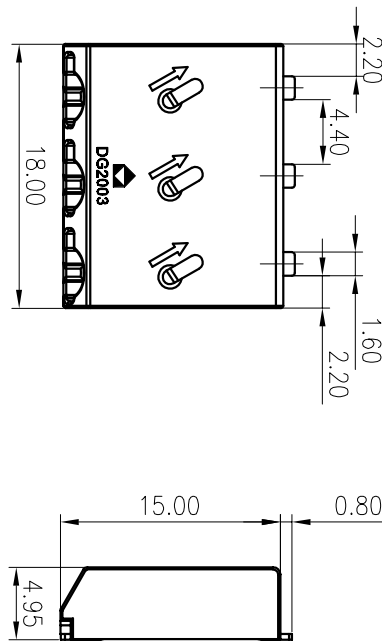
01P



02P



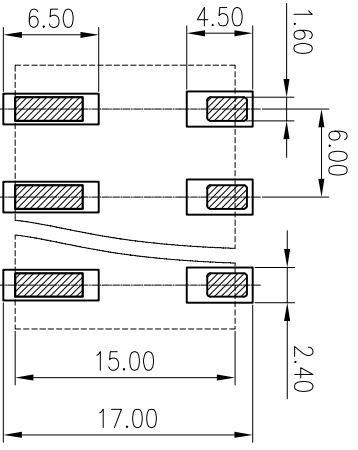
03P



ITEM	NAME OF PART	MATERIAL	NOTES
1	Housing	LCP	UL94V-0
2	Pin header	Copper alloy	Sn Plated
3	Spring	Stainless steel	/

UL 标准 /UL Standard:	600V/10A(01P) 300V/10A(02/03P)
额定电压/电流 /Rated Voltage(V)/Current(A)	III/3 III/2 II/2
IEC 标准 /IEC Standard:	III/3 III/2 II/2
过压类别 /Overvoltage Category/污染等级 /Pollution Degree	320/17.5,200/17.5,200/17.5
额定电压/电流 /Rated Voltage(V)/Current(A)	4.0 4.0 4.0
额定脉冲电压 /Rate Impulse Voltage(KV)	20~16/0.5~1.5
额定脉冲电流 /Rate Impulse Current(A)	6.0/N=01~03P
额定温度范围 /Operating temperature(°C)	09~+11
使用温度范围 /Operating temperature(°C)	-40~+130
符合RoHS环保要求 /Conform to RoHS	Yes

PCB LAYOUT



MATERIAL:	/			
MAT NO.:	/			
STATUS:	/			
APPD:	/			
CHKD:	/			
DRFT:	WL 2016.08.05			
NAME:	DG2003-6.0-XXP-1Y-01A(H)			
DRAWING NO.:	DG2003-6.0-C01			
TYPE:	CUSTOMER DRAWING			
SCALE:	2:1			
SHEET	1/1			
REV	ECN	DESCRIPTION	DRFT	DATE

Transfer or duplication of this document as well as the utilization or communication of its contents are prohibited unless explicit authorization is granted. Violations will be liable for compensation. All rights reserved for patent, utility model or designs registrations. 除非给予明确授权，否则禁止转让、复制、利用、交流本文件的内容。侵犯者将承担赔偿责任。本公司保留对涉及发明、实用新型和外观专利的所有权利。