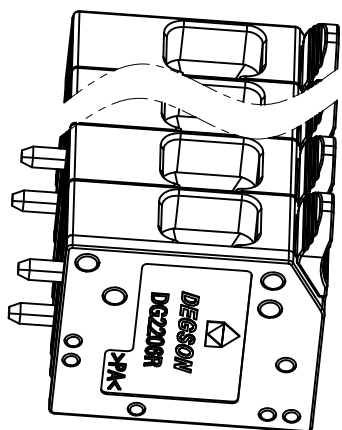
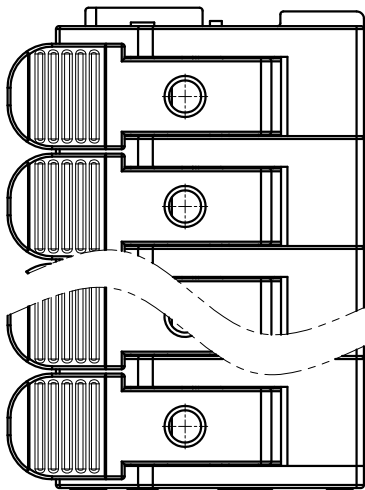
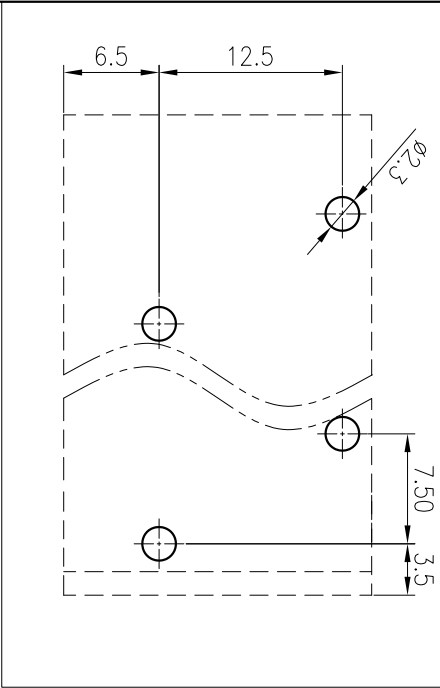
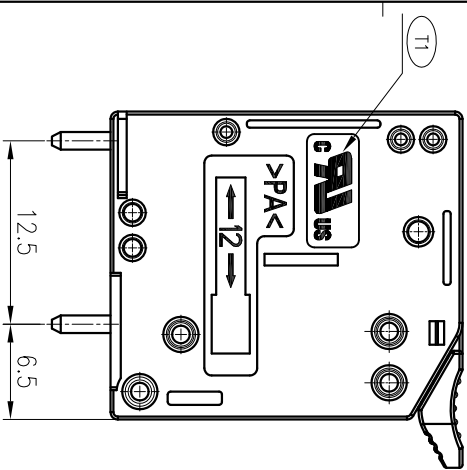


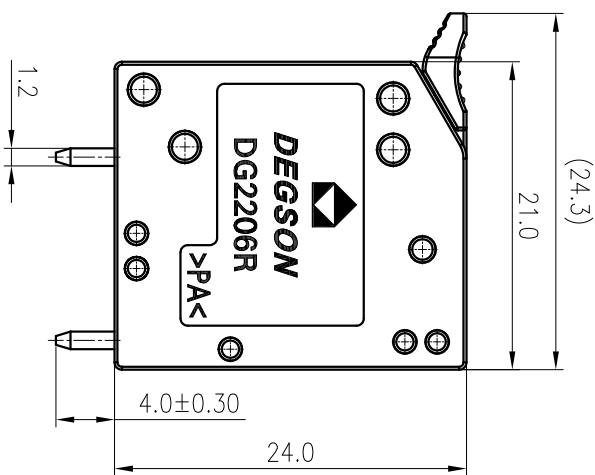
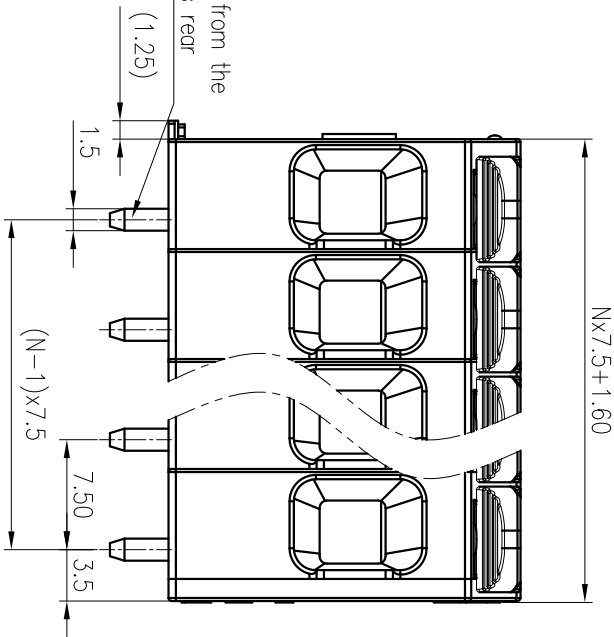
PCB LAYOUT



公差/General tolerances(mm)		公差/General tolerances(mm)
0	>3	>18
~3	~5	~30
~6	~10	~50
~10	~18	~80
~18	~30	~120
~30	~50	~180
~50	~80	~250
~80	~120	~315
~120	~180	~400
~180	~250	~500
~250	~315	~500
~315	~400	~500
~400	~500	~500
~500	~500	~500
~500	~500	~500
±0.12	±0.18	±0.22
±0.22	±0.26	±0.31
±0.31	±0.37	±0.43
±0.43	±0.57	±0.63
±0.63	±0.80	±0.93
±0.93	±1.05	±1.15
±1.15	±1.60	±2.20
±2.20	±2.50	±2.50



The first foot from the left side is rear



Transfer or duplication of this document as well as the utilization or communication of its contents are prohibited unless explicit authorization is granted. Violations will be liable for compensation. All rights reserved for patent, utility model or designs registrations. 除非给予明确授权，否则禁止转让、复制、利用、交流本文件的内容。侵犯者将承担赔偿责任。本公司保留对涉及发明、实用新型和外观专利的所有权利。

UL 标准/UL Standard:	B	C	D
额定电压/电流 /Rated Voltage(V)/Current(A)	600/41	600/41	600/41
EC 标准/IEC Standard:	/		
过压类别/Overvoltage Category/污染等级/Pollution Degree	III/3	III/2	II/2
额定电压/电流 /Rated Voltage(V)/Current(A)	800/41	1000/41	1000/41
额定脉冲电压 /Rate Impulse Voltage(KV)	8	8	8
导线范围(硬线和软线)/Wire Range(rigid and flexible)(mm²/AWG)	24~8/0.2~6.10(sol)		
铜线长度 /Stripping length(mm)	7.5/N=02~12P		
使用温度范围 /Operating temperature(°C)	-40~+105		
符合RoHS环保要求 /Conform to RoHS	Yes		

REV	ECN	DESCRIPTION	DRFT	DATE
①	20210085	1xAdd the UL lettering	Chen Zh	2021.05.10

MATERIAL: /		SURFACE: /	
MAT NO: /		NAME: DEGSON ® NINGBO DEGSON ELECTRICAL CO., LTD	
STATUS: /		DRAWING NO.: 10001089	
APPL:an CHH 2021.05.10		DRAWING NO.: 10001089	
CHKD:YU JZh 2021.05.10		SCALE: 2:1	
DRFT:Liu Zhh 2020.01.02		TYPE: CUSTOMER DRAWING	
SIZE:A4		SCALE: 2:1	
(mm)		SHEET	
(inch)		1/1	