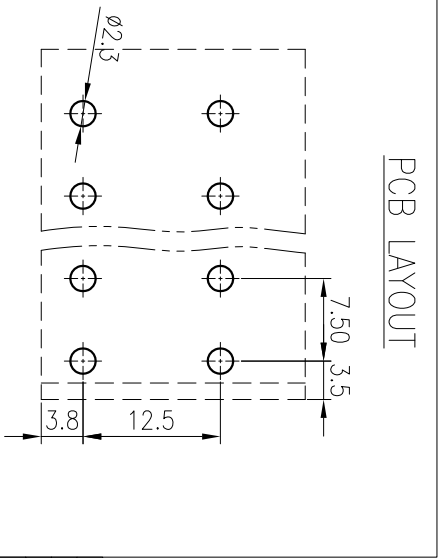
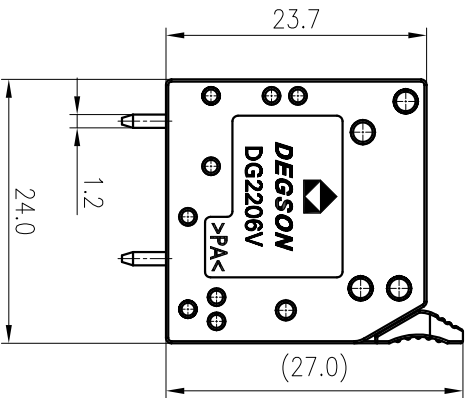
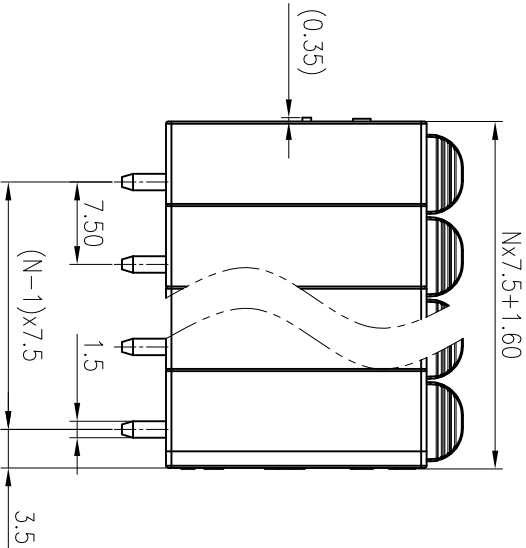
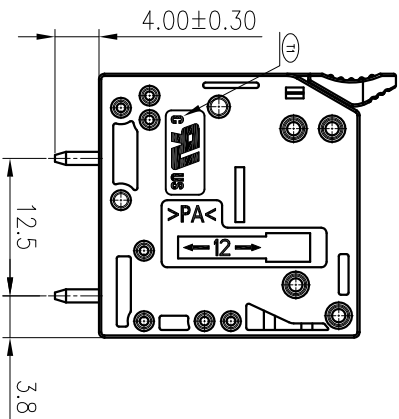
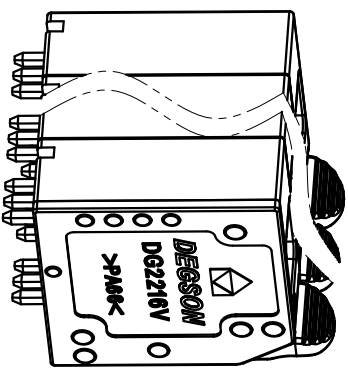
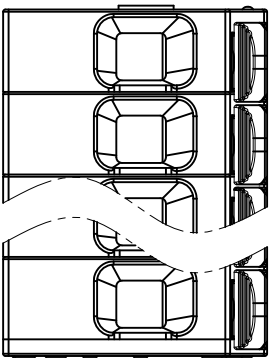


公差/差 (General Tolerances)(mm)		公差/差 (General Tolerances)(mm)	
0	>3	>50	>120
~	>6	~	>180
3	~	~	~
6	10	80	120
~	18	~	~
~	30	~	~
~	50	~	~
±0.12	±0.18	±0.22	±0.26
±0.31	±0.37	±0.57	±0.80
±1.05	±1.15	±1.60	±2.20
±2.50	±2.50	±2.50	±2.50
0.1/10	~	~	~
±2	~	~	~



REV	ECN	DESCRIPTION	DRAFT	DATE
①	202100851	2xAdd the UL lettering or change name	Chen Zh	2021.05.10

MATERIAL:	/
MAT NO.:	/
STATUS:	/
APPD: Lan CHH	2021.05.10
CHKD: Yu JZh	2021.05.10
DRAFT: Liu ZHh	2020.01.02
SIZE: A4	mm/inch

NAME:	DEGSON® NINGBO DEGSON ELECTRICAL CO., LTD	
DRAWING NO.:	10001171	REV T1
TYPE:	CUSTOMER DRAWING	SCALE: 1.5:1 SHEET 1/1

UL Standard:	B	C	D
额定电压/电涌/Rated Voltage(V)/Current(A)	600/41	600/41	/
EC 标准/EC Standard:	/		
过压类别/Overvoltage Category/污染等级/Pollution Degree	III/3	III/2	II/2
额定电压/电涌/Rated Voltage(V)/Current(A)	800/41	1000/41	1000/41
额定电涌电压(KV)/Rate Impulse Voltage(KV)	8	8	8
N=02~12P:	/		
UL 标准/UL Standard:	B	C	D
额定电压/电涌/Rated Voltage(V)/Current(A)	300/41	150/41	300/10
EC 标准/EC Standard:	/		
过压类别/Overvoltage Category/污染等级/Pollution Degree	III/3	III/2	II/2
额定电压/电涌/Rated Voltage(V)/Current(A)	500/41	690/41	1000/41
额定电涌电压(KV)/Rate Impulse Voltage(KV)	6	6	6
线径范围(硬线和软线)/Wire Range(rigid and flexible)(mm ² /AWG)	0.2~6.10(sol)/24~8		
剥线长度/Stripping length(mm)	11~13		
使用温度范围/Operating temperature(°C)	-40~+105		
符合RoHS环保要求/Conform to RoHS	Yes		