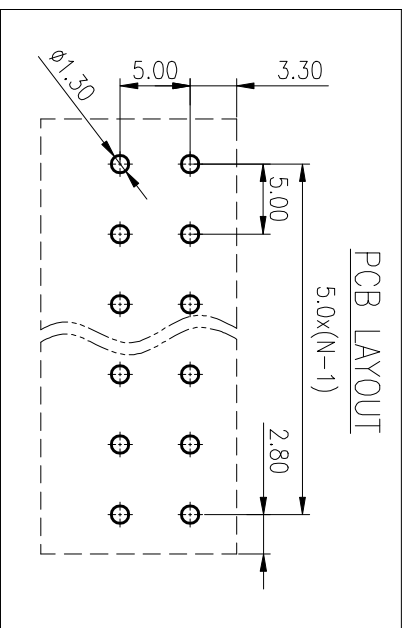
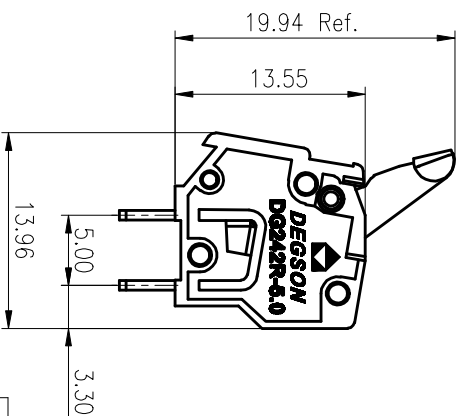
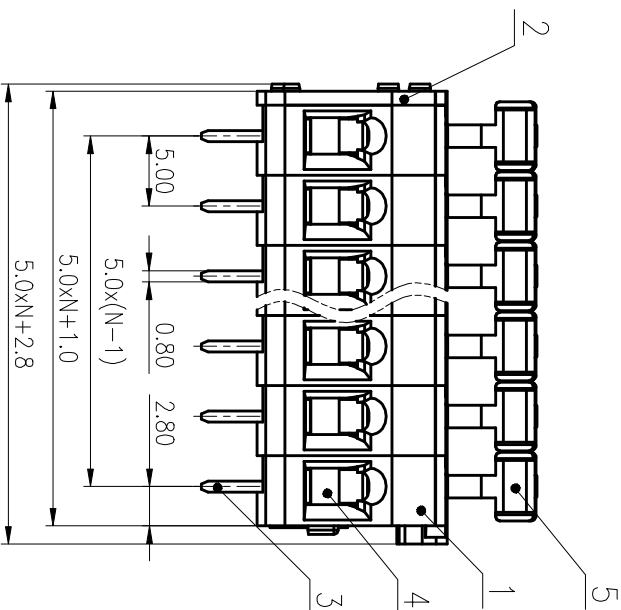
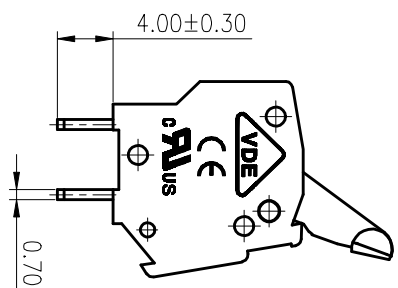


公差等级/General	tolerance/(mm)	0	>3	>6	>10	>18	>30	>50	>80	>120	>180	>250	>315	>400	>500	0.1/1/10
~	~	~	~	~	~	~	~	~	~	~	~	~	~	~	~	±Z
±0.12	±0.18	±0.22	±0.26	±0.31	±0.37	±0.57	±0.80	±0.93	±1.05	±1.15	±1.60	±2.20	±2.50			



5	Button	POM	UL94HB-
4	Spring	Stainless steel	/
3	Pin header	Copper alloy	Sn Plated
2	Cover	PA66	UL94V-0
1	Housing	PA66	UL94V-0
ITEM	NAME OF PART	MATERIAL	NOTES
UL 标准/UL Standard:	B	c	D
额定电压/电涌/Rated Voltage(V)/Current(A)	300/15	/	300/10
IEC 标准/IEC Standard:			
过压类别/Overvoltage Category/污秽等级/ Pollution Degree	III/3	III/2	II/2
额定电压/电涌/Rated Voltage(V)/Current(A)	/	450/17	/
工频耐压/Withstanding Voltage(V/1Min)		AC2500	
线径范围(硬线和软线)/Wire Range(rigid and flexible)(mm²/AWG)	0.2~2.5/28~12		
间距/Pitch(mm)/线数范围/Poles	5.0/N=01~24P		
剥线长度/Stripping length(mm)	5~6		
使用温度范围/Operating temperature(°C)	-40~+105		
符合RoHS要求/Conform to RoHS	Yes		

MATERIAL: / SURFACE: /

MAT NO.: /

STATUS: /

APPD: Li GL 2020.06.10 NAME: **DEGSON® NINGBO DEGSON ELECTRICAL CO.,LTD**

CHKD: MGEK 2020.06.10

DRT: LDD 2015.09.25

DRAWING NO.: DG242R-5.0-C01

TYPE: CUSTOMER DRAWING

REV	ECN	DESCRIPTION	DRT	DATE