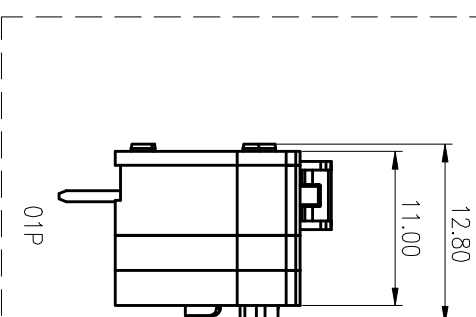
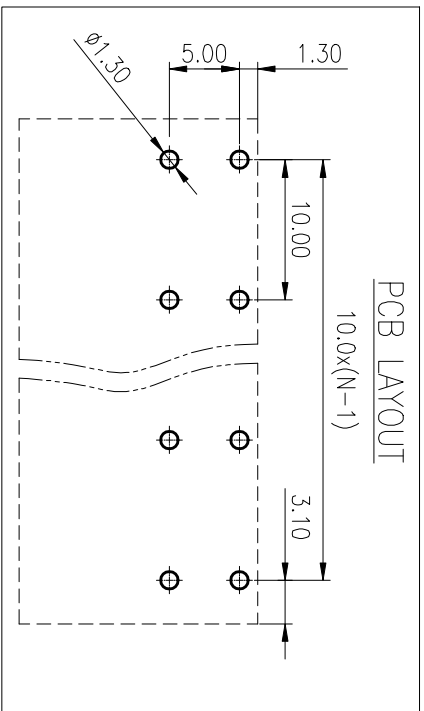
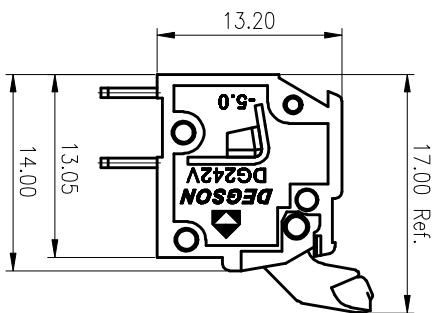
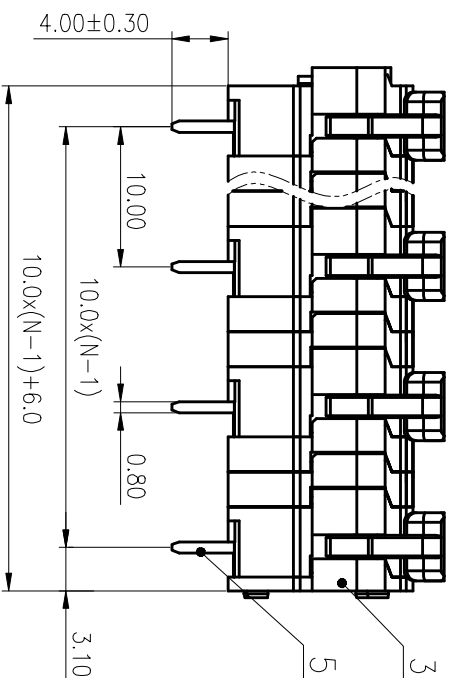
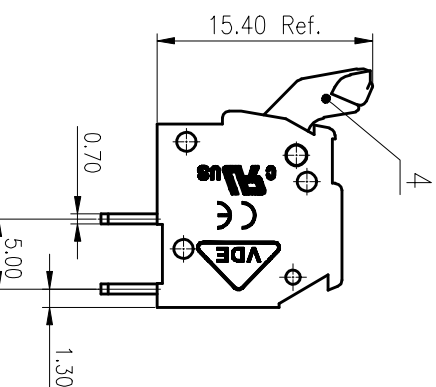
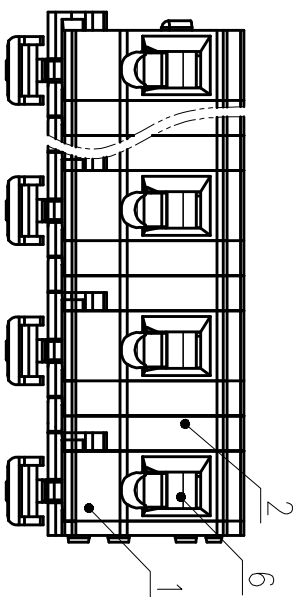


公差等级/General Tolerances(mm)		0	>3	>6	>10	>18	>30	>50	>80	>120	>180	>250	>315	>400	>500	0.1/1/10
~	~	~	~	~	~	~	~	~	~	~	~	~	~	~	~	±Z
±0.12	±0.18	±0.22	±0.26	±0.31	±0.37	±0.57	±0.80	±0.93	±1.05	±1.15	±1.60	±2.20	±2.50			



ITEM	NAME OF PART	MATERIAL	NOTES
6	Spring	Stainless steel	/
5	Pin header	Copper alloy	Sn Plated
4	Button	POM	UL94HB
3	Cover	PA66	UL94V-0
2	Clapboard	PA66	UL94V-0
1	Housing	PA66	UL94V-0

UL 标准 / UL Standard:	B	C	D
额定电压/电涌 / Rated Voltage(V)/Current(A)	300/15	/	300/10
IEC 标准 / IEC Standard:	/	/	/
过压类别 / Overvoltage Category / 污染等级 / Pollution Degree	III/3	III/2	II/2
额定电压/电涌 / Rated Voltage(V)/Current(A)	/	1000/17	/
工频耐压 / Withstanding Voltage(V/1min)	/	AC3500	/
线芯范围 / 绝缘和材料 / Wire Range(rigid and flexible)(mm <sup>2</sup> /AWG)	0.2~2.5/28~12		
间距 / Pitch(mm) / 线数范围 / Poles	10.0/N=01~12P		
剥线长度 / Stripping length(mm)	5~6		
使用温度范围 / Operating temperature(°C)	-40~+105		
符合 RoHS 要求 / Conform to RoHS	Yes		

MATERIAL: /

SURFACE: /

MAT NO.: /

STATUS: /

APPD: Li GL 2020.06.10

CHKD: MoEK 2020.06.10

DFT: WangW 2020.06.10

NAME: **DEGSON® NINGBO DEGSON ELECTRICAL CO., LTD**

NAME: **DG242V-10.0-XXP-1Y-00A(H)**

DRAWING NO.: DG242V-10.0-C01

TYPE: CUSTOMER DRAWING

SCALE: 2:1

REV	ECN	DESCRIPTION	DFT	DATE	SIZE: A4	SCALE: 2:1	SHEET
1							1/1
							1/1

D

C

B

A

D

C

B

A