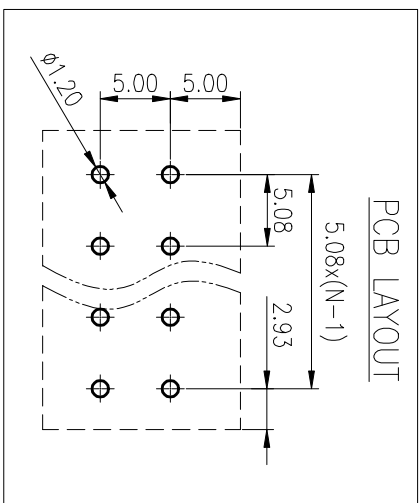
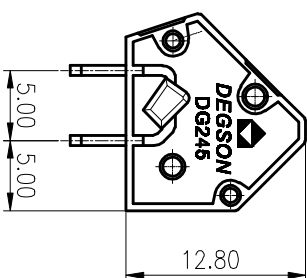
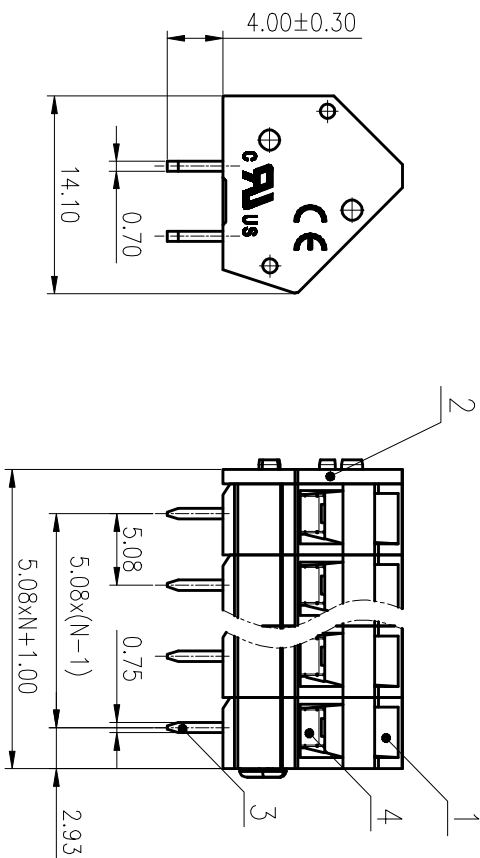
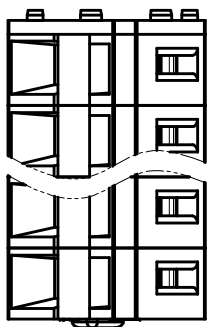


公差等级/General	tolerance/(mm)	0	>3	>6	>10	>18	>30	>50	>80	>120	>180	>250	>315	>400	>500	0.1/1/10
±0.12	±0.18	±0.22	±0.26	±0.31	±0.37	±0.57	±0.80	±0.93	±1.05	±1.15	±1.60	±2.20	±2.50	±2.50	±Z	±Z



4	Spring	Stainless steel	/
3	Pin header	Copper alloy	Sn Plated
2	Cover	PA66	UL94V-0
1	Housing	PA66	UL94V-0
ITEM	NAME OF PART	MATERIAL	NOTES
UL 标准	UL Standard:	B	C
额定电压/电涌/Rated Voltage(V)/Current(A)	300/15	/	300/10
IEC 标准/IEC Standard:			
过压类别/Overvoltage Category/污秽等级/Pollution Degree	III/3	III/2	II/2
额定电压/电涌/Rated Voltage(V)/Current(A)	320/17	320/17	630/17
额定脉冲电压(kV)/Rate Impulse Voltage(kV)	4	4	4
线芯范围(硬线和软线)/Wire Range(rigid and flexible)(mm <sup>2</sup> /AWG)	0.2~2.5/28~12		
间距/Pitch(mm)/线数范围/Poles	5.08/N=02~24P		
剥线长度/Stripping length(mm)	5~6		
使用温度范围/Operating temperature(°C)	-40~+105		
符合RoHS环保要求/Conform to RoHS	Yes		

MATERIAL:	/	SURFACE:	/
MAT NO.:	/		
STATUS:	/		
APPD:	Li GL 2020.06.10	NAME:	<b>DEGSON® NINGBO DEGSON ELECTRICAL CO., LTD</b>
CHKD:	MdEK 2020.06.10	DRAWING NO.:	<b>DG245-5.08-XXP-1Y-00A(H)</b>
DRT:	HS 2017.04.08	TYPE:	CUSTOMER DRAWING
REV	ECN	DESCRIPTION	DRAFT
DATE			
SIZE: A4	SCALE: 2:1	REV	T1
(mm)		SHEET	1/1

A B C D

1 2 3 4 5 6